



Product Catalogue

*We specialize in Electronic
Locking Products and Access
Control Systems*

GEM[®]
GIANNI INDUSTRIES, INC.

ABOUT GEM[®] *Gianni Industries, Inc.*

Gianni Industries, Inc. (GEM[®]) is one of the top leading manufacturers in Taiwan providing the world's best quality access control products. GEM[®] was established in 1992 and we specialize in electromagnet locking devices.

The main distribution outlets are over 70 countries in the world. We help our customers navigate their toughest security challenges and differentiate themselves by providing innovative and secure solutions.

Our commitment to quality and customer service has been recognized by well-known institutions around the world. GEM[®] products have been widely used in international airport buildings, such as Amsterdam Airport Schiphol, Birmingham International Airport, Sydney Airport, Melbourne Airport, and Bangkok Airport.

We are among several manufactures to receive the CE and UL certifications, as well as patents in over 20 different countries. We help advocate for and raise those security standards in the first place, in markets around the world.

GEM[®]

www.gianni.com.tw



Electromagnetic Locks

GEM, NH, PH, EM, FDH,
Weatherproof Series

» **1**

Electric Strikes

GK200, 231, 300, 450/480, 460, 500,
600, 700, 800, 1100, 1250, 1300, 1480,
1700 Series

» **26**

Cabinet Locks

CK100, GL-80F

» **57**

Electric Locks

ML-210-SW, ML-300-SW, ML-350, ML-360

» **59**

Electric Dropbolts

Fail-safe, Fail-secure Series

» **62**

Shear Locks

GS200, GS705 Series

» **68**

Access Controls

E1196 Bluetooth Reader,
DG-ea400 Fingerprint Keypad System,
Digital Keypad System, » **71**
Proximity Keypad System, Proximity Readers,
Online Networked System,
Mini Access Controller

Power Supplies

PSB, PSM, PSU Series

» **90**

Exit Buttons

PPB, AS, PBT Push Buttons,
Dual Exit Units, Push Plates,
Touch Sense Infrared Exit Buttons, » **95**
Wave Sense Exit Devices,
Wireless Exit Device,
Electromechanical Push Bar,
Micro Switch Push Bars

Call Points

CP-15, 24, 31, 32, 33 Series

» **115**

Key Switches

ANSI, European, Slim/Narrow Sizes

» **120**

Magnetic Door Holders

ANSI, European, Weatherproof Series

» **124**

Electrical Accessories

Power Transfer Door Loops,
LED Indicator Lights, Magnetic Contacts,
Door Latches, » **130**
Door Control Modules,
Buzzer Bridge Rectifiers

Electromagnetic Locks



GEM Series



NH Series



PH Series



FDH Series



EM Series



Weatherproof Series

Selector Chart

	Weatherproof	Indoor	Slide-in Plate	With Handle	Full Length Housing	LED Indicator	Large LED	Single Magnet	Double Magnets	Bond Sensor	Buzzer Alarm	Relock Time Delay	Door Status Sensor
GEM Series		V				V	V	V	V	V	V	V	V
NH Series		V	V			V		V	V	V	V	V	V
PH Series		V		V				V	V	V		V	V
FDH Series		V			V	V	V	V	V	V		V	V
EM Series		V				V		V	V	V		V	V
Weatherproof Series	V	V						V		V		V	V

Electromagnetic Locks

Indoor GEM Series

New Style Mounting Plate Design and Patented



The GEM series electromagnetic locks use a new style mounting plate and patented. The mounting plate is designed with increased thickness for the screw hole at each end to provide the lock body with more immobility and strength. The GEM series can be installed on various types of doors or door frames with optional auxiliary mounting brackets.

Standard Features

- Reversible installation (For unmonitored model)
- New style mounting plate with increased immobility (Patented)
- Aluminum anodized casing (US28)
- MOV prevents spike and surge current
- Dual voltage 12/24VDC field selectable
- No residual magnetism







Standard Options

- Configurable large or square visible red / green LED for better visibility
- Built-in bond sensor and door status sensor
- Bi-color status LED indicator
- Relock time delay
- Buzzer alarm

Patents, Approvals, and Listings

- UL 10B, UL10C, ULC S104 listed : R21198
- NF S 61-937 Compliant (For unmonitored models)

Indoor GEM Series Electromagnetic Locks

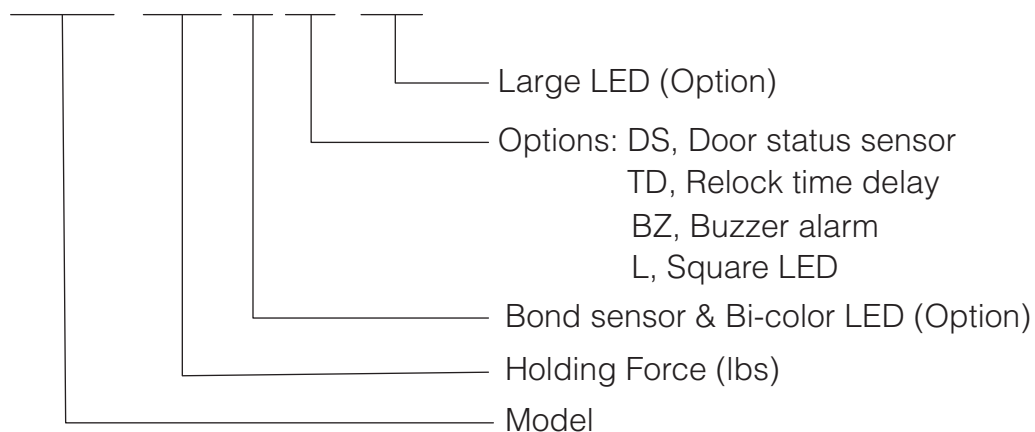
Models	Holding Force (lbs)	Voltage (VDC)	Standard Options	Optional Brackets			
				Narrow Frame/ Outswing Door	Inswing Door	Frameless Glass Door	
Single Magnet							
GEM-300	300	12/24	M	L-GEM-300	LZ-GEM300	—	—
GEM-600 	600	12/24	M, ML, MTD, MDS, MDS-TD	L-GEM-600 L-GEM-600AU	LZ-GEM-600 LZ-GEM-600AU	Z-GEM-600	UBK-300G-L UBK-300G-Z UBK-300G-LZ
GEM-800 	800	12/24	M, ML, MTD, MDS, MDS-TD, MTD-LD MDS-TD-LD, MBZ	L-GEM-800 L-GEM-800AU	LZ-GEM-800 LZ-GEM-800AU	Z-GEM-800	—
GEM-1200 	1200	12/24	M, ML, MTD, MDS, MDS-TD, MTD-LD MDS-TD-LD, MBZ, MDS-BZ	L-GEM-1200 L-GEM-1200AU	LZ-GEM-1200 LZ-GEM-1200AU	Z-GEM-1200	—
Double Magnets							
GEM-D600 	600 x 2	12/24	M, ML, MTD, MDS, MDS-TD	L-GEM-D600 L-GEM-D600AU	LZ-GEM-D600 LZ-GEM-D600AU	—	—
GEM-D800 	800 x 2	12/24	M, ML, MTD, MBZ	L-GEM-D800 L-GEM-D800AU	LZ-GEM-D800 LZ-D800AU	—	—
GEM-D1200 	1200 x 2	12/24	M, ML, MTD, MDS, MDS-TD, MBZ	L-GEM-D1200 L-GEM-D1200AU	LZ-GEM-D1200 LZ-GEM-D1200AU	—	—

Notes:

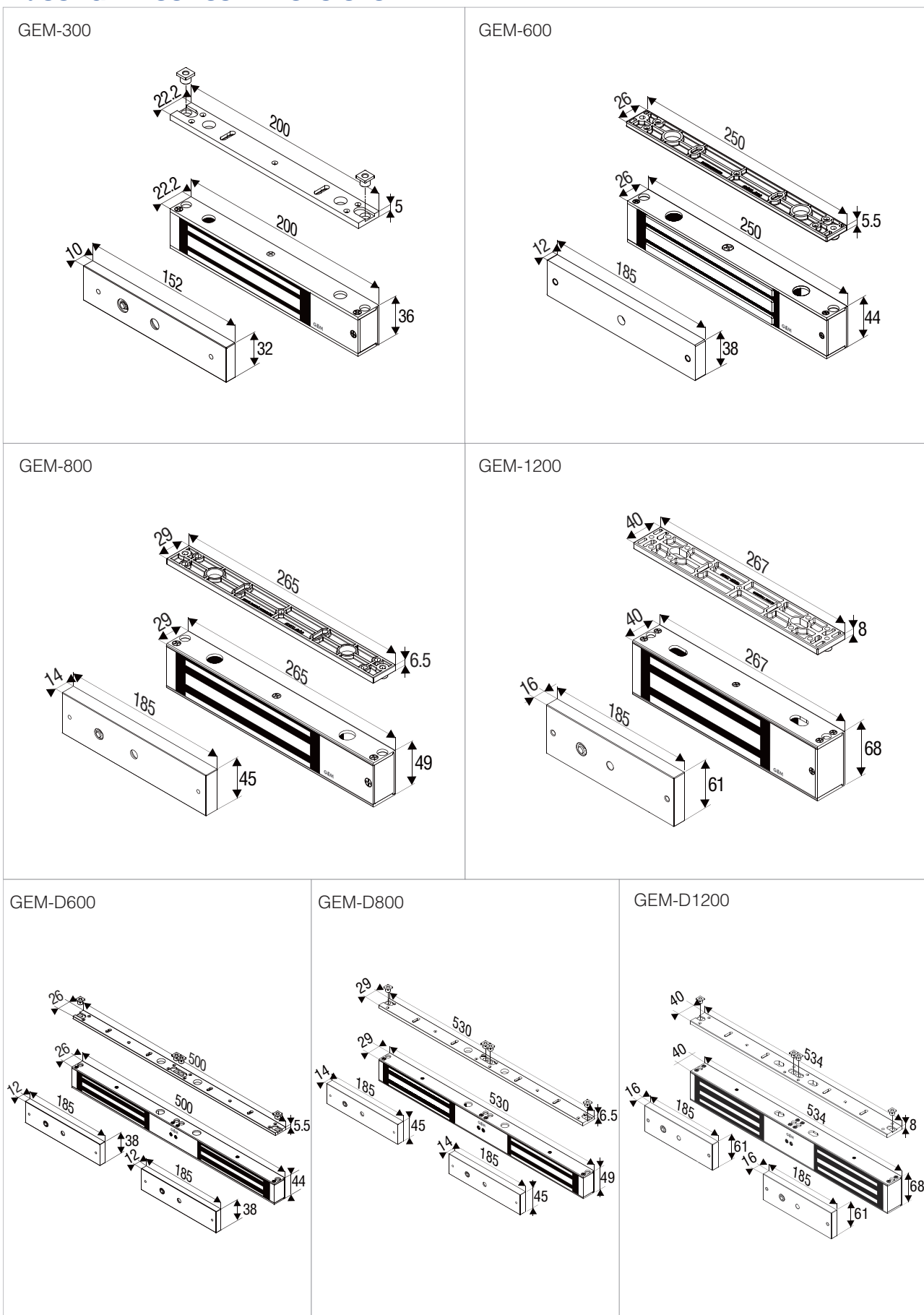
- Standard models are all unmonitored
- M: Bond sensor & Bi-color status LED indicator
- ML: Bond sensor & Bi-color square LED indicator
- DS: Door status sensor
- TD: Relock time delay
- BZ: Buzzer alarm
- LD: Configurable large and visible red/green LED for better visibility
- M, DS, and MDS options passed UL Fire Tests of Door Assemblies.
- *See page 22 for more information about using auxiliary mounting brackets on frameless glass doors/walls.

How to Order:

GEM-800MTD-LD



Indoor GEM Series Dimensions



All dimensions in mm

Electromagnetic Locks

Indoor NH Series

Slide-in Mounting Plate Design, Safe and Secure



Slide-in mounting plate



The NH series electromagnetic locks feature a slide-in mounting plate design that simplifies the installation process and firmly secures the magnet. They are available for surface and mortise mount installations with a wide range of auxiliary mounting brackets allowing an easy installation on any kind of doors and door frames.

Standard Features

- Slide-in mounting plate design for easy and secure installation
- Dual voltage 12/24VDC field selectable
- MOV prevents spike and surge current
- No residual magnetism
- Aluminum alloy casing

Standard Options

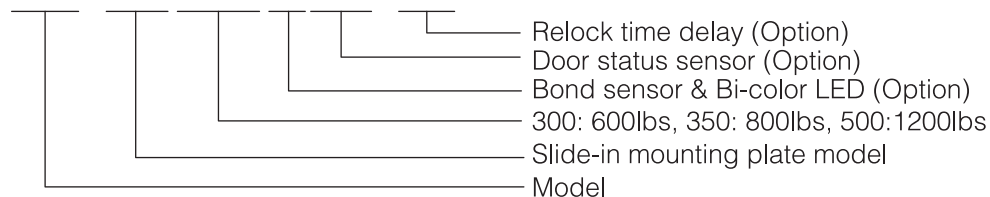
- Built-in bond sensor
- Built-in door status sensor
- Bi-color status LED indicator
- Relock time delay
- Buzzer alarm

Patents, Approvals, and Listings







- UL 10B, UL 10C, ULC S104 listed : R21198
- CE: EC3D0908-02

How to Order:

EM-NH300MDS-TD



Indoor NH Series Electromagnetic Locks

Models	Holding Force (lbs)	Voltage (VDC)	Standard Options	Optional Brackets		
				Narrow Frame/ Outswing Door	Inswing Door	Framless Glass Door/Wall
Single Magnet						
EM-NH300 	600	12/24	M, MTD, MDS, MDS-TD, DS	L-NH300 L-NH300AU	LZ-NH300N LZ-NH300NAU	UBK-013, UBK-013DS,UBK-300, UBK-300-2, UBK-300L, UBK-300N
EM-NH350 	800	12/24	M, MDS	L-NH350M	LZ-NH350N	UBK-013
EM-NH500 	1200	12/24	M, MTD, MDS, MDS-TD, MBZ, TD	L-NH500	LZ-NH500N LZ-NH500NAU	—
Double Magnets						
EM-NH2300 	600 x 2	12/24	M, MTD, MDS, MDS-TD	L-NH2300	LZ-NH2300N	—
EM-NH2350 	800 x 2	12/24	M, MDS, MDS-TD	L-NH2350M	LZ-NH2350N	—
EM-NH2500 	1200 x 2	12/24	M, MTD, MDS, MBZ	L-NH2500	LZ-NH2500N	—

Notes:

Standard models are all unmonitored

M: Bond sensor & Bi-color status LED indicator

DS: Door status sensor

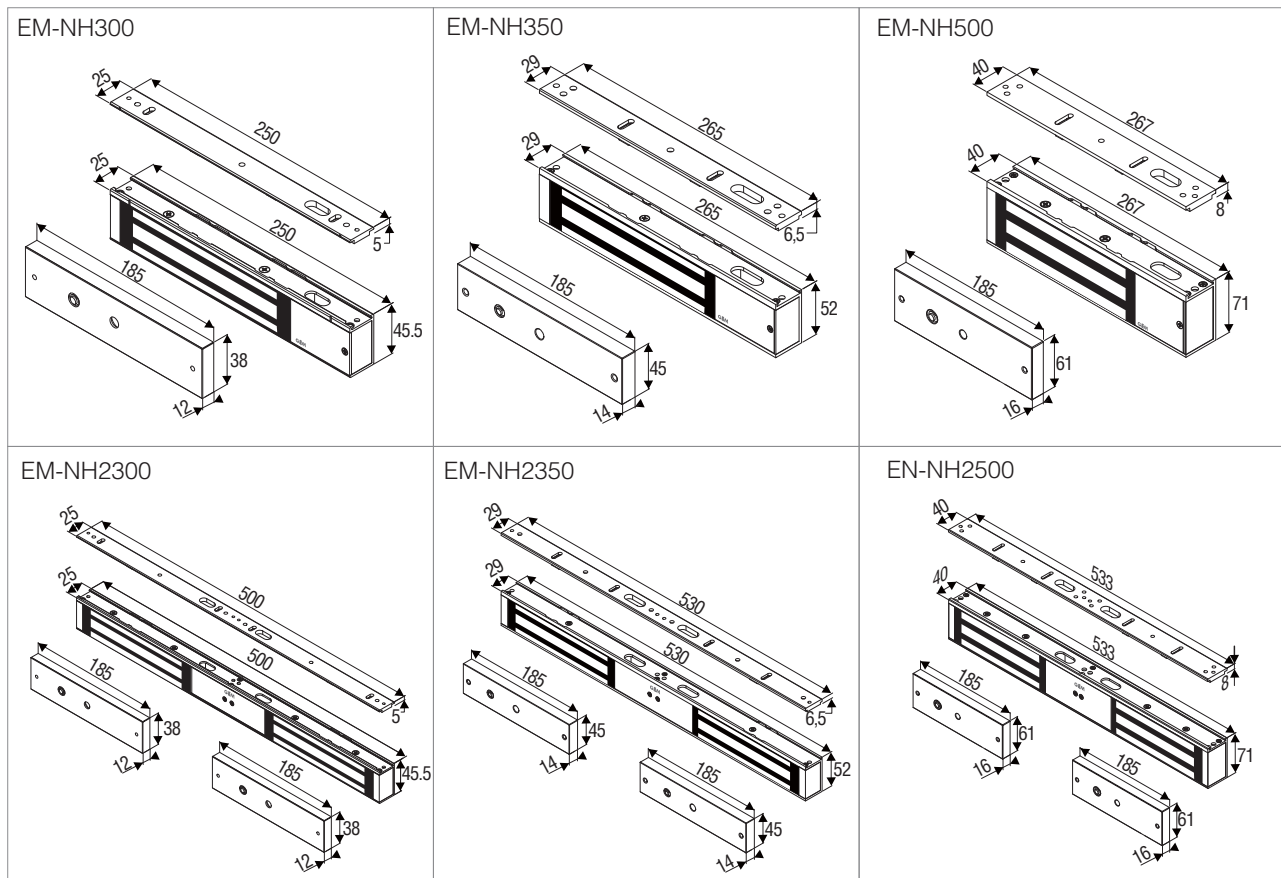
TD: Relock time delay

BZ: Buzzer alarm (EM-NH500M-BZ, EM-NH2500MBZ)

M, DS, and MDS options passed UL Fire Tests of Door Assemblies.

* See page 21 for more information about using auxiliary mounting brackets on framless glass doors/walls.

Indoor NH Series Dimensions



All dimensions in mm

Electromagnetic Locks

Indoor PH Series with Handle

Stylish, Safe, and Secure



The PH series electromagnetic locks retain all the great features of GEM's electromagnetic locks and performance. They are designed with latest technology that hides the armature plate in an enclosure that serves as a door handle. The electromagnetic lock itself is installed in a vertical direction on the door frame. It is most suitable for metal doors and door frames and can be positioned on any type of inswing doors.

The PH-450 and PH-900 series can be mounted directly onto the door and door frame with the necessary fasteners provided. Installation is simple and requires no special tools.

Standard Features

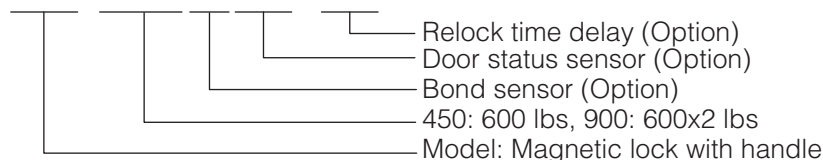
- Stylish hidden magnet design—safe and secure
- Aluminum anodized casing (US28)
- Dual voltage 12 or 24VDC field selectable
- No residual magnetism
- For inswing doors

Optional Features

- Built-in bond sensor
- Built-in door status sensor
- Relock time delay

How to Order:

PH-450MDS-TD



Indoor PH Series Electromagnetic Locks with Handle

Models	Holding Force (lbs)	Voltage (VDC)	Standard Options	Magnet
PH-450 Series	600	12/24	M, MTD, MDS-TD	Single magnet
PH-900 Series	600 x 2	12/24	M, MTD, MDS-TD	Double magnets

Notes:

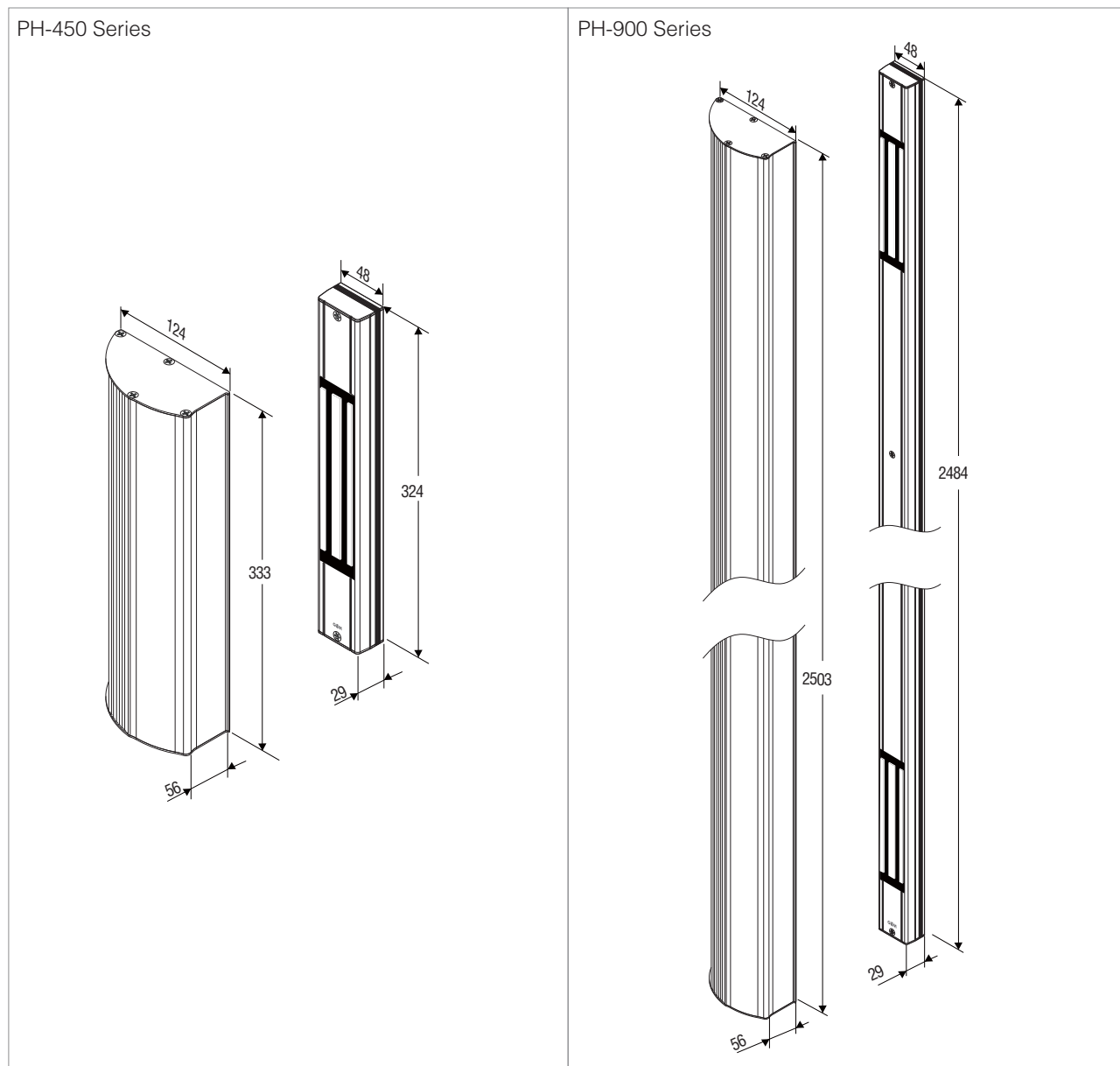
Standard models are all unmonitored

M: Bond sensor

MTD: Bond sensor & relock time delay

MDS-TD: Bond sensor, door status sensor & relock time delay

Indoor PH Series Dimensions



All dimensions in mm

Electromagnetic Locks

Indoor EM Series

Standard Locks for Residential and Business



At GEM®, more than a million EM Series electromagnetic locks have been sold worldwide under a decade. The EM series locks feature an adjustable mounting plate for easy installation, and are available for surface mount installations with a wide range of auxiliary mounting brackets on any type of doors and door frames.

The EM Series are designed, tested and approved to meet UL standards and CE mark for Product Safety, Electromagnetic Compatibility and other regulatory compulsory requirements, when used for their intended purpose.

Standard Features

- Low maintenance with high reliability
- Adjustable mounting plate for easy installation
- Aluminum anodized casing (US28)
- MOV prevents spike and surge current
- Dual voltage 12/24VDC field selectable
- No residual magnetism

Standard Options

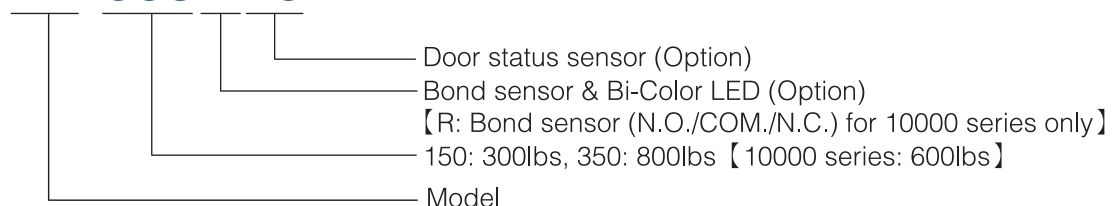
- Built-in bond sensor
- Bi-color status LED indicator
- Built-in door status sensor
- Relock time delay

Patents, Approvals, and Listings




- UL 10B, UL 10C, ULC S104 listed: R21198
- CE: EC3D0908-02

How to Order:

EM-350MDS



Indoor EM Series Electromagnetic Locks

Models	Holding Force (lbs)	Voltage (VDC)	Magnet	Standard Options	Optional Brackets			
					Narrow Frame/Outswing Door	Inswing Door	Frameless Glass Door/Wall	Sliding Door
Surface Mount								
EM-150	300	12/24	Single	M	L-EM150	LZ-EM150	MG-300LZ GLZ-EM150	—
EM-300 	600	12/24	Single	M	L-300	LZ-300 LZ-300N	UBK-013, UBK-300, UBK-300-2, UBK-300L, UBK-300N	—
EM-350 	800	12/24	Single	M, MDS	L-350	LZ-350	UBK-013	—
EM-1200 	1200	12/24	Single	M	L-500	LZ-500N	—	—
Mortise Mount								
10000	600	12/24	Single	R	—	—	—	AMB-300

Notes:

Standard models are all unmonitored

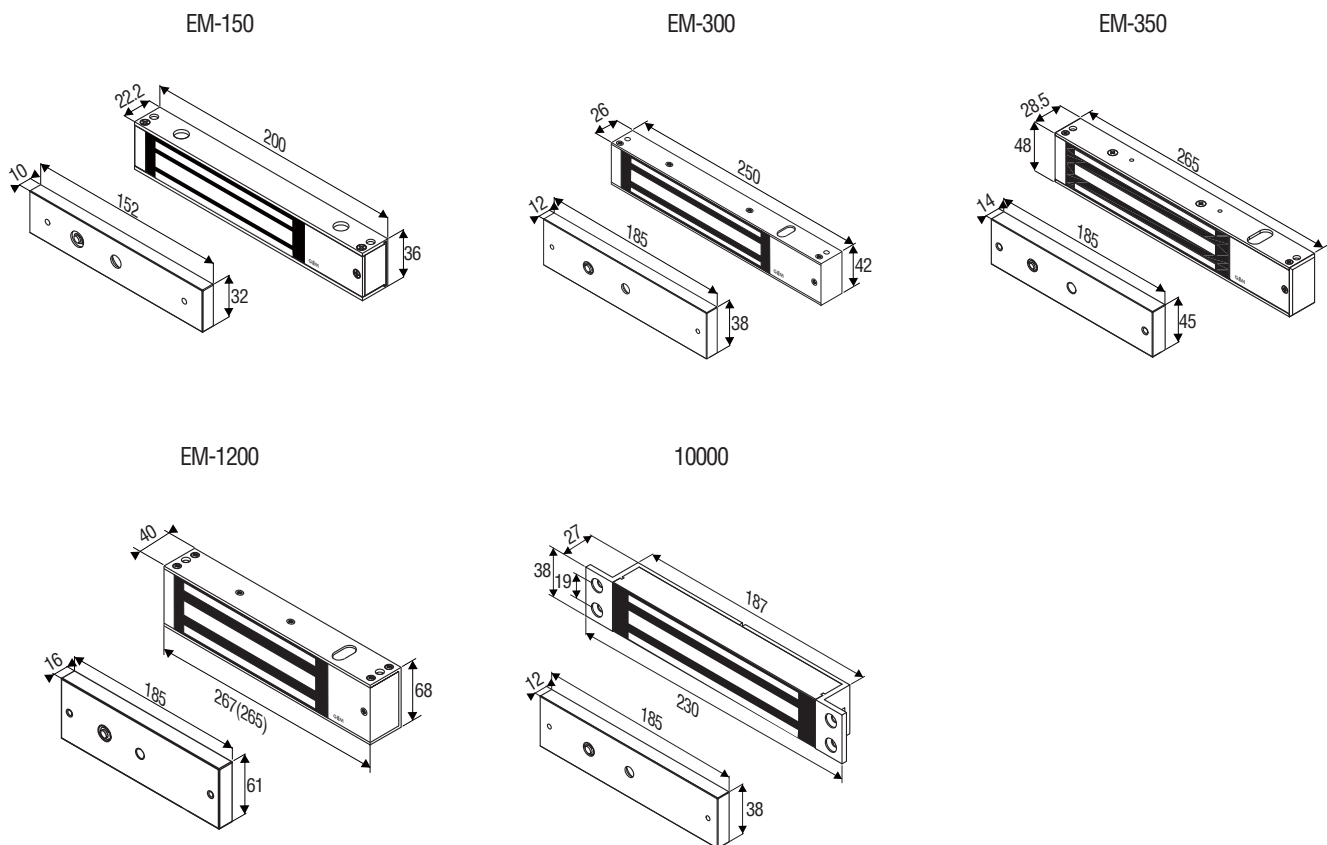
M: Bond sensor & Bi-color status LED indicator

DS: Door status sensor

R: Bond sensor (N.O./COM./N.C.)

*See page 21, 22 for more information about using auxiliary mounting brackets on frameless glass doors/walls.

Indoor EM Series Dimensions



All dimensions in mm

Electromagnetic Locks

Indoor FDH Series (Full Length Housing)

Stylish, Safe, and Secure



Horizontal Configuration
(For Single Door)



Horizontal Configuration
(For Double Door)

Vertical Configuration
(For Single Door - high ceiling door application)



The FDH housing installation includes a base plate and secure top cover. Customers can cut FDH length based on their specific door size or the size of the door opening. Single door and double door product configurations enhance not only door safety but aesthetic attractiveness. The FDH series has selections of 800 lbs, 1200 lbs, 800 lbs x 2 or 1200 lbs x 2 holding force.

Standard Features

- Full length housing for vertical or horizontal configurations
- Operating voltage 12/24 VDC
- Enhance door safety and aesthetically attractive
- Built-in bond sensor

Standard Options

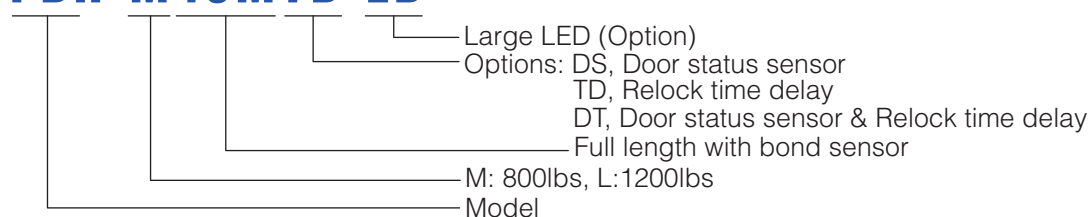
- Built-in door status sensor
- Built-in bi-color status LED indicator
- Relock time delay

Patents, Approvals, and Listings

- NF S 61-937 Compliant (For unmonitored models)

How to Order:

FDH-M45MTD-LD



Indoor FDH Series Electromagnetic Locks (Full Length Housing)

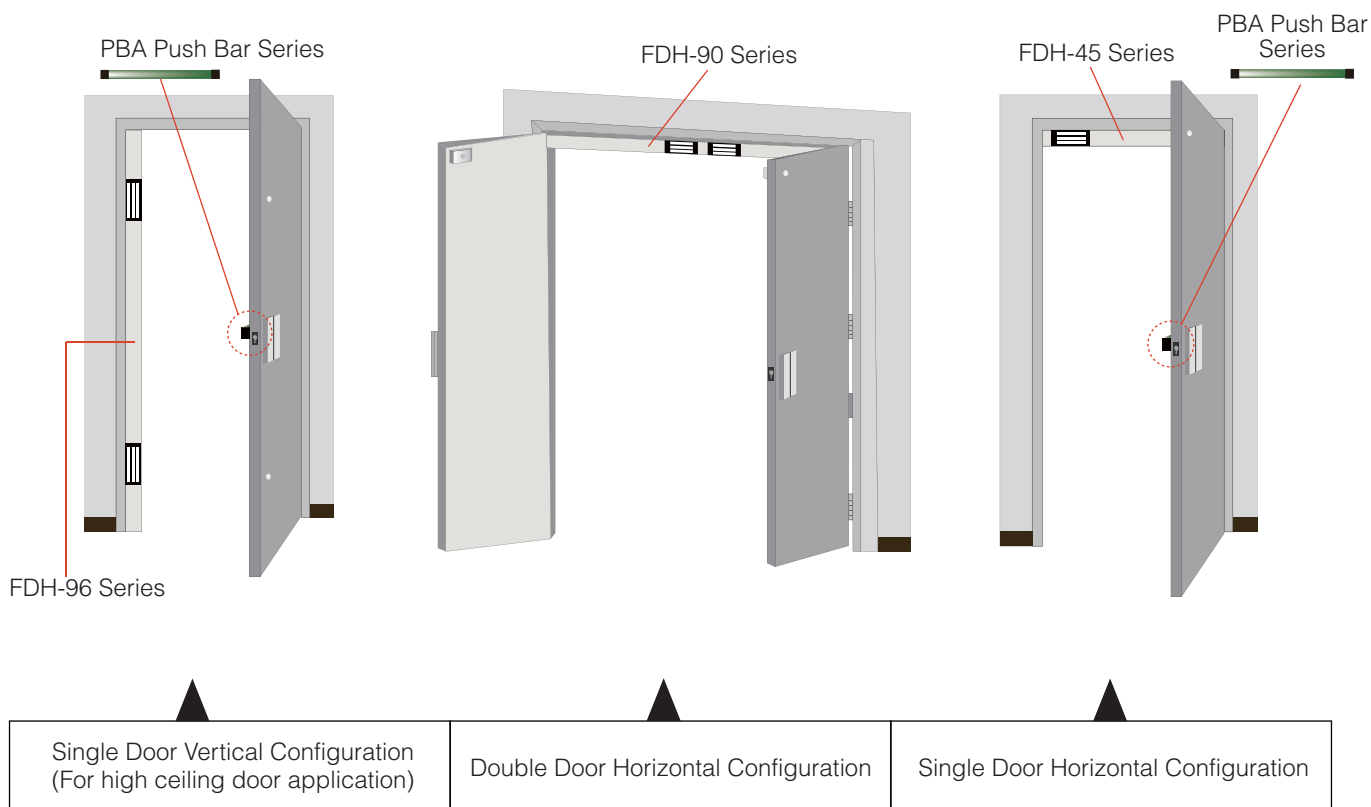
Door Type	Models	Holding Force (lbs)	Full Length	Configuration
Single Door	FDH-M39M	800	39" (991mm)	Horizontal
	FDH-M45M	800	45" (1143mm)	
	FDH-L45M	1200	45" (1143mm)	
Double Door	FDH-M90M	800 x 2	90" (2286mm)	Double Horizontal
	FDH-L90M	1200 x 2	90" (2286mm)	
Single Door (For high ceiling door application)	FDH-M96M	800 x 2	96" (2438mm)	Vertical
	FDH-L96M	1200 x 2	96" (2438mm)	
Standard Options	~ DS: Door Status Sensor ~ TD: Relock Time Delay ~ DT: Door Status Sensor + Relock Time Delay ~ TD-LD: Relock Time Delay + LED Indication ~ DT-LD: Door Status Sensor + Relock Time Delay + LED Indication			

Notes:

Standard FDH models are all monitored

Applications

GEM's full length magnetic lock housings are furnished complete with aluminum alloy finishing covers. These housings are offered in three configurations as shown in diagrams below:



Weatherproof Series

The Ultimate in GEM Electromagnetic Locks for Indoor/Outdoor Security



The GEM family of Weatherproof series electromagnetic locks are specifically designed for high profile openings that require less obtrusive surface mount lock with aesthetically superior appearance. All of them have a stainless steel housing and are sealed with fire-rated epoxy for weatherproof operation. They are available for surface and mortise mount installations with a wide range of brackets for an easy installation on any kind of doors and door frames.

The smallest GL-80F series is specially designed for closets, cabinets, drawers or lockers applications for security and ease of life.

Standard Features

- Weatherproof, stainless steel housing
- MOV prevents spike and surge current
- No residual magnetism
- For indoor/outdoor security

Patents, Approvals, and Listings

- UL 10B, UL 10C, ULC S104 listed: R21198
- CE: EC671705-01

Standard Options

- Built-in bond sensor
- Built-in door status sensor

Weatherproof Series Electromagnetic Locks

Models	Holding Force (lbs)	Voltage (VDC)	Standard Options	Optional Brackets			
				Outswing/ Narrow Door	Inswing Door	Frameless Glass Door	Sliding Door
Face Mount							
GL-80F	80	12 or 24	R	—	—	—	—
10003F	300	12 or 24	R	—	Z-150	GLZ-150-10 GLZ-150-12	—
*GL600-F 	600	12 or 24 12/24	R, M	—	Z-GL600	—	—
GL850	800	12 or 24 12/24	M	—	Z-300N	UBK-300-4	—
*GL-1200F 	1200	12 or 24 12/24	—	—	Z-500N	—	L-1200
*GL-1800F-IOTB	1800	12/24	—	—	Z-GL1800	—	—
*GL-1800FM-IOTB-12	1800	12	M	—	Z-GL1800	—	—
Mortise Mount							
10003M	300	12 or 24	R	—	—	—	—
10000ST	600	12/24	R	—	—	—	AMB-300
Surface Mount							
10003S	300	12 or 24	R, DS	L-150	LZ-150	GLZ-150-10 GLZ-150-12	—
N10001ST 	600	12/24	R, M	L-N10001ST	LZ-N10001ST	UBK-013	—
GL600-S 	600	12 or 24 12/24	—	L-GL600-AL L-GL600	LZ-GL600	—	—
10006S	800	12 or 24 12/24	M	L-400	LZ-400N	UBK-013	—
EM-750	800	12 or 24 12/24	R	L-750	LZ-750	UBK-013	—
10010ST 	1200	12 or 24	M	L-600	LZ-600N	—	—
N10010ST 	1200	12 or 24 12/24	M, R	L-N10010ST	LZ-N10010ST	—	—
GL-1200S 	1200	12 or 24 12/24	R	L-600	LZ-600N	—	—
GL-1800S	1800	12/24	—	L-GL1800	LZ-GL1800	—	—
Face/Surface Mount							
EM-750-2	800	12 or 24 12/24	M, R	L-750	Z-300N	UBK-013 UBK-300-4	—
*GL600-FS-IOTB 	600	12 or 24 12/24	M	L-GL600-AL L-GL600	Z-GL600 LZ-GL600	—	L-GL600-F-AL
*GL1200-FS-IOTB 	1200	12 or 24 12/24	M	L-GL1200FS-IOTB	Z-500N LZ-GL1200FS-IOTB	—	L-GL1200FS-IOTB

*Comes with conduit connector.

Notes: Standard models are all unmonitored **M:** Bond sensor **R:** Bond sensor (Contacts: NO/Com) **DS:** Door status sensor
 See page 21, 22 for more information about using auxiliary mounting brackets on frameless glass doors.

Weatherproof Series Dimensions

Face Mount

<p>GL-80F</p>	<p>10003F</p>	<p>GL600-F</p>
<p>GL-850</p>	<p>GL-1200F</p>	<p>GL-1800F-IOTB GL-1800FM-IOTB-12</p>

Mortise Mount

<p>10003M</p>	<p>10000ST</p>
---------------	----------------

All dimensions in mm

Weatherproof Series Dimensions

Surface Mount

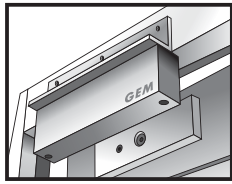
<p>10003S</p>	<p>N10001ST</p>	<p>GL600-S</p>
<p>10006S</p>	<p>EM-750</p>	<p>10010ST</p>
<p>N10010ST</p>	<p>GL-1200S</p>	<p>GL-1800S</p>

Face Mount/Surface Mount

<p>GL600-FS-IOTB</p>	<p>GL1200-FS-IOTB</p>
----------------------	-----------------------

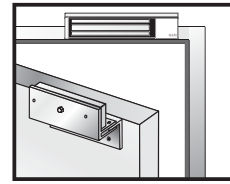
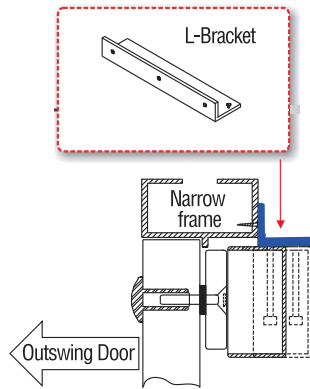
All dimensions in mm

Standard Auxiliary L-Brackets & LZ-Brackets



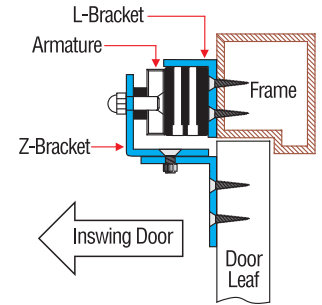
What is L- Bracket?















L- Bracket is used as an extension on narrow door frames to provide adequate mounting surface and suitable for use on outswing doors.



What is LZ-Bracket?

LZ-Bracket consists of L-bracket and Z-bracket and is often used on inswing doors.














300 lbs Surface Mount	Narrow Frame / Outswing Door L-Brackets	Inswing Door LZ-Brackets
EM-150 Series	 L-EM150	 LZ-EM150
10003S Series	 L-150	 LZ-150
GEM-300 Series	 L-GEM-300	 LZ-GEM-300
600 lbs Surface Mount		
GL600-S Series	 L-GL600-AL	 LZ-GL600
EM-NH300 series	 L-NH300	 LZ-NH300N
N10001ST Series	 L-N10001ST	 LZ-N10001ST
GEM-600 series	 L-GEM-600	 LZ-GEM-600
GEM-D600 series	 L-GEM-D600	 LZ-GEM-D600

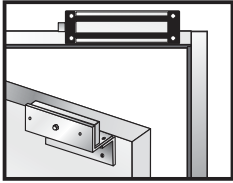
Standard Auxiliary L-Brackets & LZ-Brackets (Continued)

800 lbs Surface Mount	Narrow Frame / Outswing Door L-Brackets	Inswing Door LZ-Brackets
EM-NH2300 series	 L-NH2300	 LZ-NH2300N
10006S series	 L-400	 LZ-400N
EM-750 series	 L-750	 LZ-750
GEM-800 series	 L-GEM-800	 LZ-GEM-800
GEM-D800 series	 L-GEM-D800	 LZ-GEM-D800
EM-NH350 series	 L-NH350M	 LZ-NH350N
EM-NH2350 series	 L-NH2350M	 LZ-NH2350N
1200 lbs Surface Mount		
10010ST series GL-1200S	 L-600	 LZ-600N
GEM-1200 series	 L-GEM-1200	 LZ-GEM-1200
GEM-D1200 series	 L-GEM-D1200	 LZ-GEM-D1200

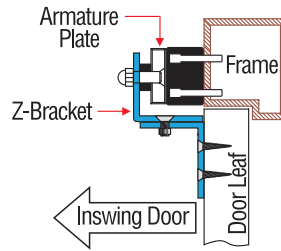
Standard Auxiliary L-Brackets & LZ-Brackets (Continued)

1200 lbs Surface Mount	Narrow Frame / Outswing Door L-Brackets	Inswing Door LZ-Brackets
N10010ST series	 L-N10010ST	 LZ-N10010ST
EM-NH500 series	 L-NH500	 LZ-NH500N
EM-NH2500 series	 L-NH2500	 LZ-NH2500N
GL-1200F series	 L-1200	
GL1200-FS-IOTB series	 L-GL1200FS-IOTB	 LZ-GL1200FS-IOTB
GL-1800S	 L-GL1800	 LZ-GL1800

Auxiliary Mounting Z-Brackets



What is Z-Bracket?

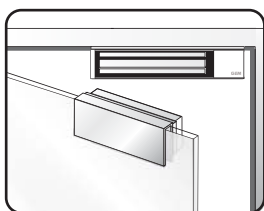


Z-Bracket is mounted on the interior door leaf directly to the door for inswing doors.

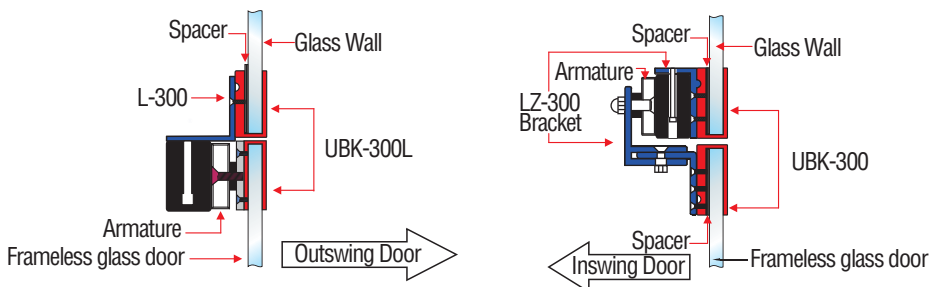
300 lbs Face Mount	Inswing Door Z-Brackets
10003F	 Z-150
600 lbs Face Mount	
GEM-600	 Z-GEM-600
GL600-F	 Z-GL600
GL-600F GL600-FS-IOTB	 Z-GL600

800 lbs Face Mount	
GEM-800	 Z-GEM-800
GL850	 Z-300N
1200 lbs Face Mount	
GL-1200F GL-1200F-IOTB	 Z-500N

Auxiliary Mounting U-Brackets (For Frameless Glass Doors)







What is U-Bracket?



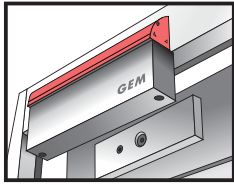
U-Bracket is compatible with LZ- brackets, L-brackets, and electromagnetic locks and suitable for use on inswing or outswing frameless glass doors.

Models	Installation Applications	Compatible Electromagnetic Locks	Glass Door Thickness
 UBK-013	Use UBK-013 on outswing frameless glass doors	Midi(800 lbs) and Mini (600 lbs) series magnet	10 to 12mm
 UBK-013DS	Use UBK-013DS on outswing frameless glass doors	Mini (600 lbs) series magnet with door status sensor	10 to 12mm
 UBK-300	Use UBK-300 + LZ-300 (or LZ-NH300) on inswing frameless glass doors, glass walls	10001, EM-300, EM-NH300 series	10 to 12mm
 UBK-300-2	Use UBK-300-2 + Z-300 (or LZ-300, LZ-NH300) on frameless inswing glass doors	10001, EM-300, EM-NH300 series	10 to 12mm
 UBK-300L	Use UBK-300L + L-300 (or L-NH300) on outswing frameless glass doors, glass walls	10001, EM-300, EM-NH300 series	10 to 12mm
 UBK-300N	Use UBK-300N + LZ-300N (or LZ-NH300N) on inswing frameless glass doors, glass walls	10001, EM-300, EM-NH300 series	10 to 12mm
 UBK-300-4	Use UBK-300-4 + Z-300N on frameless inswing glass doors	GL-850, EM-750-2	10 to 12mm
 UBK-300G-L	Use UBK-300G-L + L-GEM-600 + UBK-013 on outswing frameless glass doors, glass walls	GEM-600 series	10 to 12mm

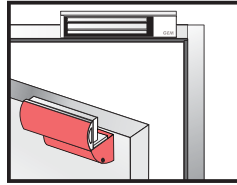
Auxiliary Mounting U-Brackets (For Frameless Glass Doors)

Models	Installation Applications	Compatible Electromagnetic Locks	Glass Door Thickness
 <p>UBK-300G-LZ</p>	Use UBK-300G-LZ +L-LZ-GEM-600 (or LZ-GEM-600AU) on frameless inswing glass doors, glass walls	GEM-600 series	10 to 12mm
 <p>UBK-300G-Z</p>	Use UBK-300G-Z + Z-GEM-600 on inswing frameless glass doors	GEM-600 series	10 to 12mm
 <p>MG-300LZ</p>	Use MG-300LZ on inswing frameless glass doors, glass walls	EM-150	10 to 12mm
 <p>GLZ-150-10</p>	Use GLZ-150-10 on inswing frameless glass doors	10003F, 10003S	10 mm
 <p>GLZ-150-12</p>	Use GLZ-150-12 on inswing frameless glass doors	10003F, 10003S	12 mm
 <p>GLZ-EM150</p>	Use GLZ-EM150 on inswing frameless glass doors, glass walls	EM-150	12 mm

Auxiliary Mounting Brackets (Special L-Brackets & LZ-Brackets)



Special L-Bracket



Special LZ-Bracket

What are Special L-Bracket and Special LZ-Bracket?

Special L-Bracket and Special LZ-Bracket are available for common door and frame applications and designed to enhance aesthetic attractiveness of the door.

600 lbs Surface Mount	Special L-Brackets	Special LZ-Brackets
EM-NH300 series	 L-NH300AU	 LZ-NH300AU
EM-NH2300 series		 LZ-NH2300AU
GL600-S	 L-GL600	
GEM-600 series	 L-GEM-600AU	 LZ-GEM-600AU
GEM-D600 series	 L-GEM-D600AU	 LZ-GEM-D600AU
800 lbs Surface Mount		
EM-350 series	 L-350	 LZ-350
EM-NH350 series	 L-NH350AU	

Auxiliary Mounting Brackets (Special L-Brackets & LZ-Brackets) (Continued)

1200 lbs Surface Mount	Special L-Brackets	Special LZ-Brackets
<p>GEM-800 series</p>	 <p>L-GEM-800AU</p>	 <p>LZ-GEM-800AU</p>
<p>GEM-D800 series</p>	 <p>L-GEM-D800AU</p>	 <p>LZ-GEM-D800AU</p>
<p>EM-1200 series, EM-2200 series</p>	 <p>L-10010N</p>	 <p>LZ-10010N</p>
<p>EM-NH500 series</p>	 <p>L-NH500AU</p>	 <p>LZ-NH500NAU</p>
<p>GEM-1200 series</p>	 <p>L-GEM-1200AU</p>	 <p>LZ-GEM-1200AU</p>
<p>GEM-D1200 series</p>	 <p>L-GEM-D1200AU</p>	 <p>LZ-GEM-D1200AU</p>

Auxiliary Mounting Brackets (For Armature Plates)

600 lbs	GE Armature Housing (For Model with Door Status Sensor)	BP Armature Spacer	TB Armature Bracket
Mini Locks	 GE-320S-DS	 300BP	 TB-400 For sliding door
	 GE-330S-DS		
800 lbs			
Midi Locks	 GE-320M-DS		 TB-400 For sliding door
1200 lbs			
Standard Locks	 GE-320L-DS	 500BP	
	 GE-330L-DS		

Brackets Models	Dimensions (mm)	Finish	Door Type
GE-320S-DS	214 x 44 x 16	Plastic ABS	Wooden & hollow metal doors
GE-330S-DS	214 x 54.5 x 15	Aluminum alloy	
GE-320M-DS	214 x 51 x 18	Plastic ABS	
GE-320L-DS	214 x 67 x 20	Plastic ABS	
GE-330L-DS	214 x 76.5 x 15	Aluminum alloy	
300BP	185.5 x 38.5 x 6.5	Aluminum / Sliver	Wooden or thicker door leaf
500BP	191 x 63.5 x 9.5	Aluminum / Sliver	
TB-400	190 x 53 x 36	Aluminum / Sliver	Wooden, thin or sliding doors

The GEM Family of Electric Strikes



GK200



GK250



GK280



GK231



GK300



GK450



GK460



GK500



GK550



GK570



GK600



GK760



GK800



GK1100



GK1270



GK1300/1350



GK1480



GK1700

Electric Strikes

GK200 Series

**Durable Strikes
for Gates or Semi-outdoor Applications**



GK200

GK250/255



The GK200 series electric strike is designed for use with cylindrical or rim locksets. It is reversible for right or left handed doors and ideal for gates or semi-outdoor applications.

Standard Features

- Static strength 1,000 lbs (454Kg)
- Fail-secure or Fail-safe
- Non-handed fully reversible
- Endurance 250, 000 cycles
- For inswing doors

Other Features

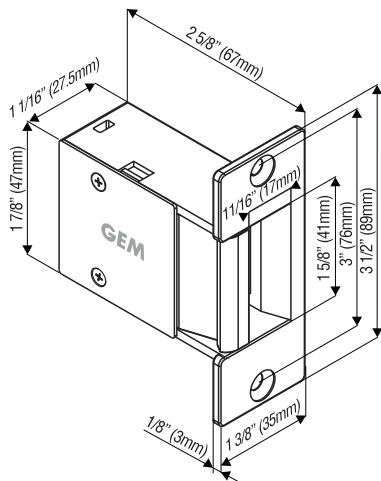
- One piece cast zinc alloy construction (Except GK250/255)
- Available in 2 faceplate options (For GK250/255)
- Uses with bored cylindrical locksets or GEM LS-2200 door latch (For GK200/250/255)
- Rim strikes for gate application (For GK280/285/290/295)

GK200 Series Electric Strikes

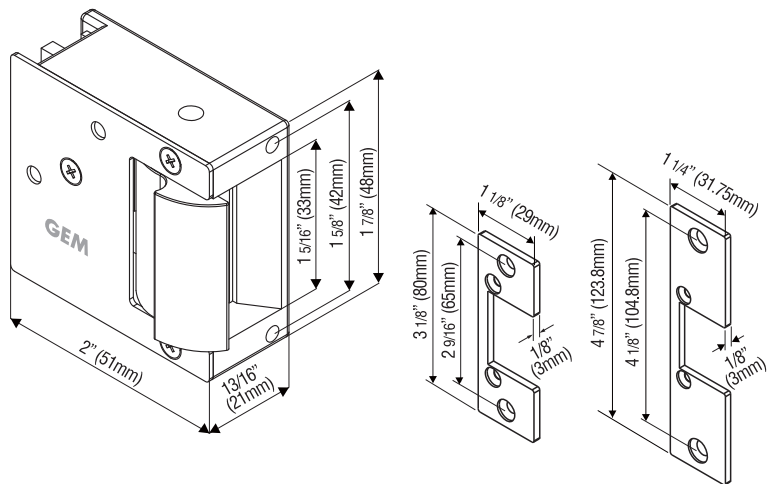
Models	Voltage	Latch Throw	Mode	Water Drainage Function	Mount	Locksets	Finish
GK200	8-16 VAC or 3-6 VDC 12 or 24 VAC/VDC	9/16" (15 mm)	Fail-secure	●	Mortise	Cylindrical, GEM LS-2200 door latch	Silver, Brass
GK250 GK255	8-16 VAC or 3-6 VDC 12 or 24 VAC/VDC	1/2" (13 mm)	Fail-secure Fail-safe	●	Mortise	Cylindrical, LS-2200 door latch	Brushed Stainless Steel (US32D)
GK280 GK285	8-16 VAC or 3-6 VDC 12 or 24 VAC/VDC	1/2" (13 mm)	Fail-secure Fail-safe	●	Surface	Rim (with deadbolt)	Duranodic (US40)
GK290 GK295	8-16 VAC or 3-6 VDC 12 or 24 VAC/VDC	1/2" (13 mm)	Fail-secure Fail-safe	●	Surface	Rim (Nightlatch)	Duranodic (US40)

GK200 Series Dimensions

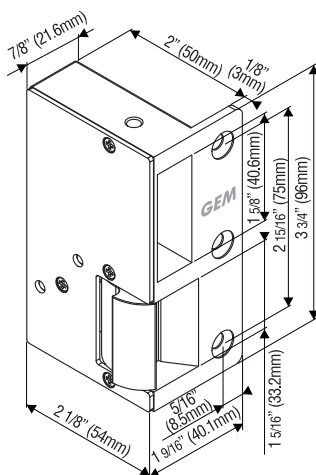
GK200



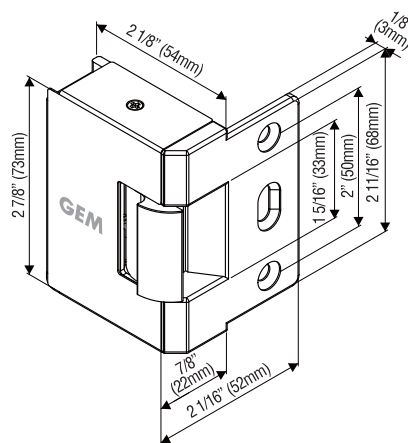
GK250 with Faceplate Options



GK280/ 285



GK290/ 295



Electric Strikes

GK231/233/236M Series

Strong, Durable, Preload Solution



NF S 61-937



GK233M-R

GK231M-L

GK236M-R

GK236M-L

The GK231/233/236M series European electric strike has a robust stainless steel construction and is designed with its high preload release capability. It opens electrically with up to 500lbs of preload that allows smooth operation under varying loads on the doors and overcomes door preload problems, such as air-conditioning pressure, warped doors, or heavy weather stripping seals.

Standard Features

- Brushed stainless steel construction
- Static strength 1,500 lbs (680Kg)
- No frame cutting required (For GK236M)
- Latch monitor (For GK231/233)
- Up to 500 lbs (227Kg) of preload
- Lock monitor
- Fail-safe
- Plug-in terminal block for quick and easy installation
- Adjustable keeper (except GK231)
- Handed (Specify when ordering)

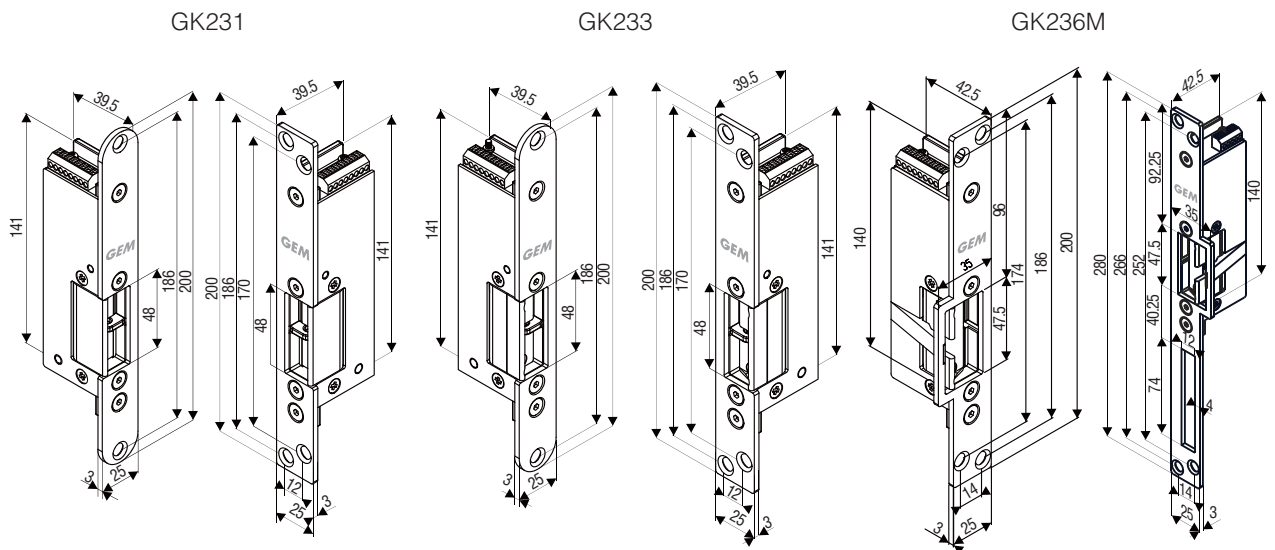
Patents, Approvals, and Listings

- NF S 61-937 compliant (GK231, 233 Series) (For unmonitored model)
- Fire resistance testing standards BSEN 1634-1:2014 and BSEN 1363-1: 2012 compliant (GK231 Series)

GK231/233/236M Series European Electric Strikes

Models	Voltage (VDC)	Latch Throw (mm)	Preload (Side Load) 500 lbs.	Mode	Plug-in Terminal Block	Adjustable Keeper	Monitoring Output	Handed
GK231	12 or 24	15	●	Fail-safe	●	—	Lock monitor Latch monitor	●
GK233	12 or 24	11	●	Fail-safe	●	●	Lock monitor Latch monitor	●
GK236M	12 or 24	11	●	Fail-safe	●	●	Lock monitor	●

GK231/233/236M Series Dimensions



Electric Strikes

GK300 Series

Durable, Versatile Strikes for Residential and Business



GK300

SECURITY



The GK300 series ANSI electric strikes is designed for use with cylindrical locksets or mortise locksets without a deadbolt. It can be fitted to a wide range of applications and is field reversible for fail-safe or fail-secure operation.

Standard Features

- Non-handed fully reversible
- Field reversible fail-safe or fail-secure
- Static strength 1,000 lbs (454Kg)
- Dynamic strength 50 ft-lbs
- Endurance rating 250,000 cycles UL tested, 1,000,000 cycles factory tested
- Trim plate included
- Brushed stainless steel (US32D) finish

Optional Feature

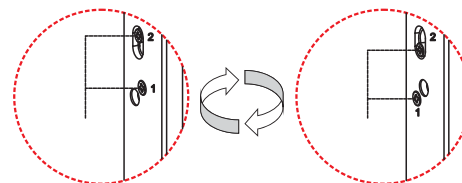
- Latch monitor

Patents, Approvals, and Listings

- UL1034 burglary-resistant listed:BP10269 (GK300, 301, 310, 311 series)
- CE: EC741012-01

Changing Fail-Safe or Fail-Secure





Fail-safe or Fail-secure is field reversible by changing the position of screws.



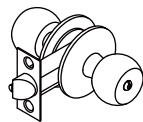

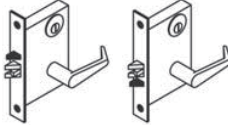
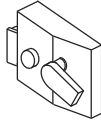
"Fail-Secure"
Power to Open

"Fail-Safe"
Power to Lock

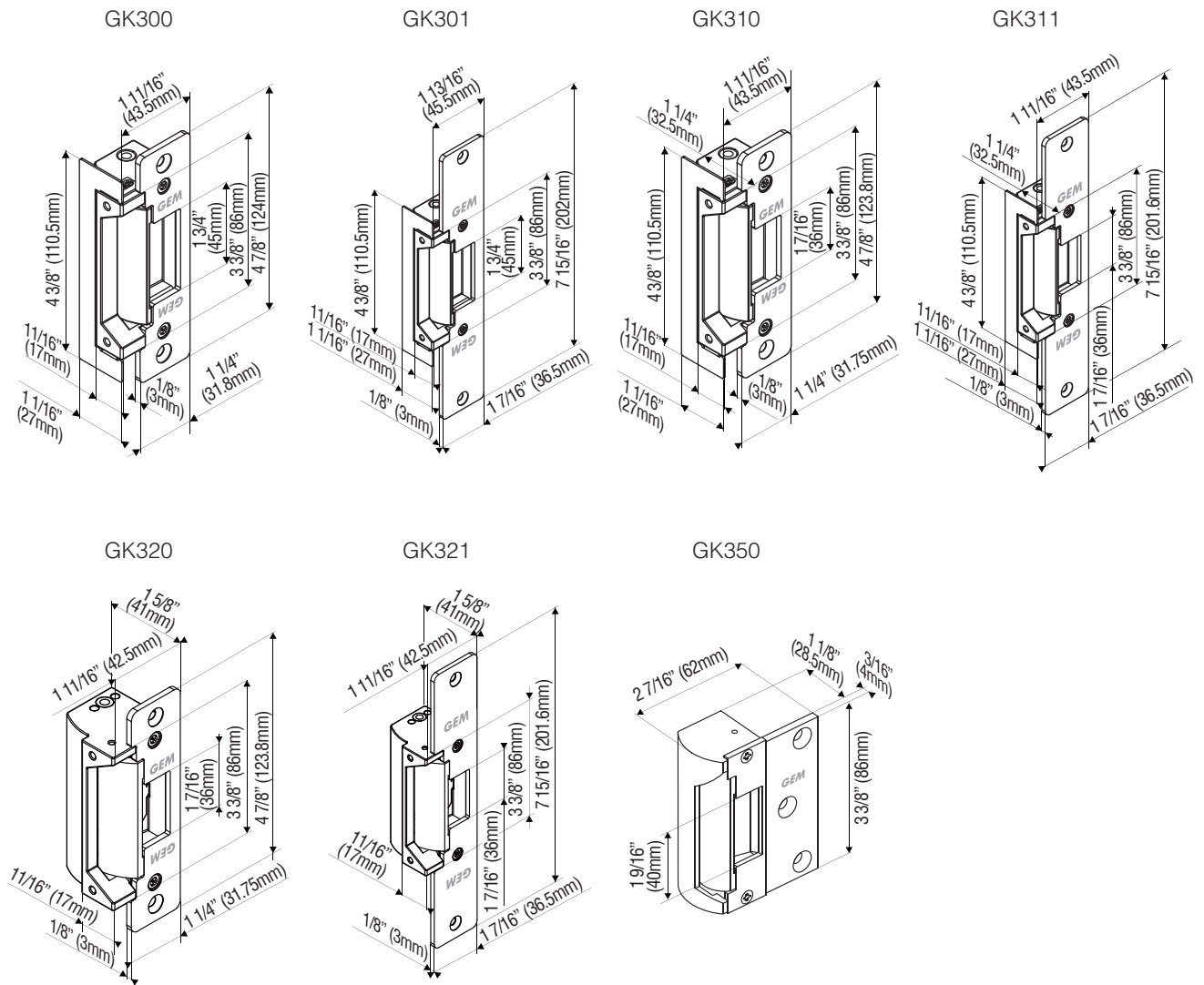
GK300 Series ANSI Electric Strikes

Models	Voltage (VDC)	Latch Throw	Optional Latch Monitor	Reversible Fail-Safe Or Fail-Secure	Frame	Mount	Body Construction
GK300 GK300-ST 	12 or 24 12/24	9/16" (15mm)	●	●	Hollow Metal	Mortise	Zinc alloy Stainless steel
GK301 GK301-ST 	12 or 24 12/24	9/16" (15mm)	●	●	Wood	Mortise	Zinc alloy Stainless steel
GK310 GK310-ST 	12 or 24 12/24	9/16" (15mm)	●	●	Hollow Metal	Mortise	Zinc alloy Stainless steel
GK311 GK311-ST 	12 or 24 12/24	9/16" (15mm)	●	●	Wood	Mortise	Zinc alloy Stainless steel
GK350	12 or 24 12/24	9/16" (15mm)	●	●	Hollow Metal, Wood	Surface	Aluminum alloy
GK320	12 or 24 12/24	3/4" (19mm)	●	●	Hollow Metal	Mortise	Zinc alloy
GK321	12 or 24 12/24	3/4" (19mm)	●	●	Wood	Mortise	Zinc alloy

Lockset Application (Note: Lockset is Not sold with electric strike model.)

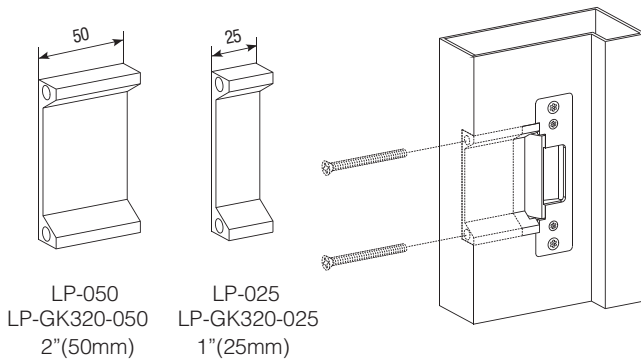
Electric Strikes Models	Locksets
GK300, GK300-ST, GK301, GK301-ST, GK310, GK310-ST, GK311, GK311-ST, GK320, GK321	Cylindrical Lockset with center lined latchbolt 
GK300, GK300-ST, GK301, GK301-ST, GK310, GK310-ST, GK311, GK311-ST, GK320, GK321	GEM-470R/470L Lockset with center lined latchbolt 
GK320, GK321	Mortise Mortise locksets without a deadbolt 
GK350	Night Latch Rim lockset 

GK300 Series Dimensions



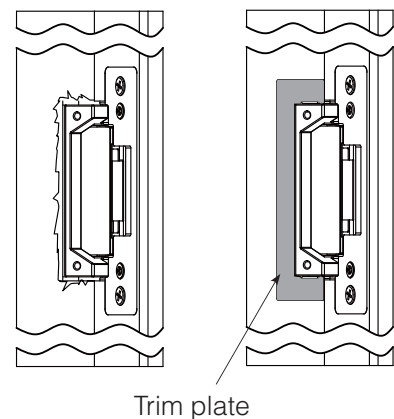
GK300 Series Accessories

Lip Extensions (Option)



Trim Plate

Trim plate is included to cover any imperfections caused while prepping the frame cut out.



Electric Strikes

GK450/480 Series

Durable, Versatile Strikes for Residential and Business



GK450



The GK450 series ANSI electric strike is designed for use with cylindrical locksets and mortises locksets without a deadbolt and can be installed in metal and wood door frames. It includes an optional latch monitor and is field reversible for fail-safe or fail-secure operation.

Standard Features

- Non-handed fully reversible
- Field reversible fail-safe or fail-secure
- Static strength 1,500 lbs (680Kg)
- Dynamic strength 70 ft-lbs
- Endurance 100,000 cycles UL tested, 1,000,000 cycles factory tested
- Brushed stainless steel (US32D) finish

Optional Features

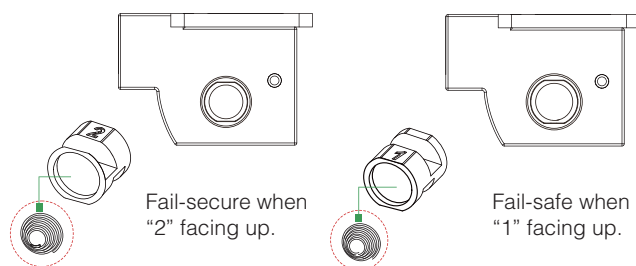
- Latch monitor

Patents, Approvals, and Listings

- UL 1034 burglary resistant listed : BP10269

Changing Fail-Safe / Fail-Secure

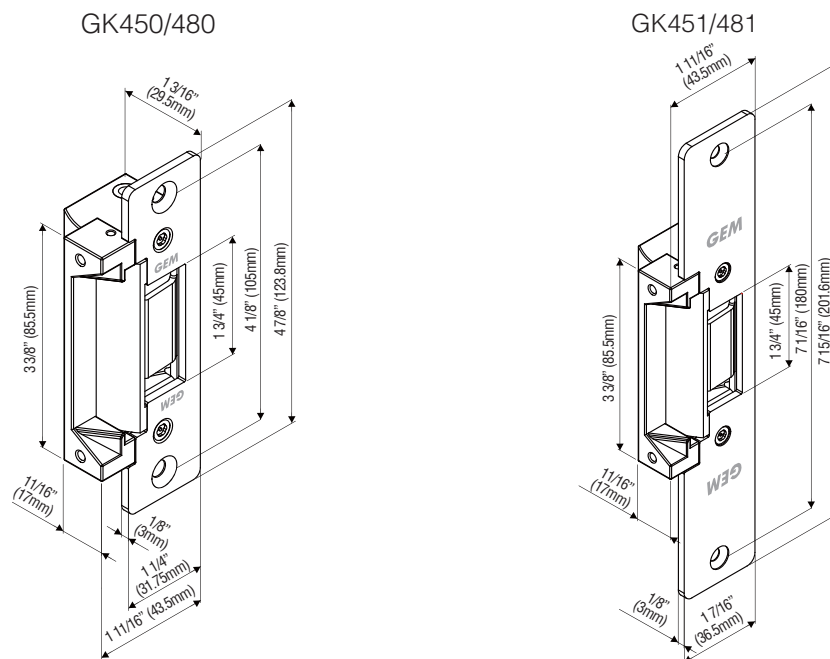
Fail-safe or fail-secure is field reversible by reversing the round screw.



GK450/480 Series ANSI Electric Strikes

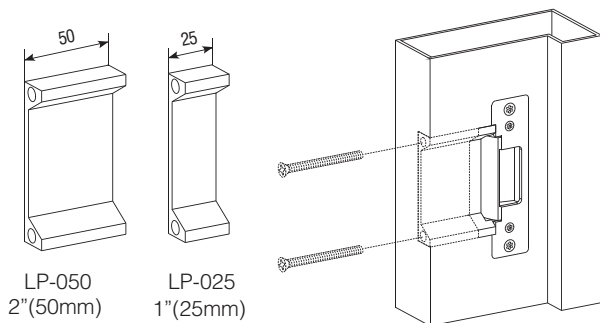
Models	Voltage (VDC)	Latch Throw	Optional Latch Monitor	Reversible Fail-Safe Or Fail-Secure	Frame	Body Construction
GK450 GK450-ST	12 or 24 12/24	9/16" (15mm)	●	●	Hollow Metal	Zinc alloy Stainless steel
GK451 GK451-ST	12 or 24 12/24	9/16" (15mm)	●	●	Wood	Zinc alloy Stainless steel
GK480 GK480-ST	12 or 24 12/24	3/4" (19mm)	●	●	Hollow Metal	Zinc alloy Stainless steel
GK481 GK481-ST	12 or 24 12/24	3/4" (19mm)	●	●	Wood	Zinc alloy Stainless steel

GK450/480 Series Dimensions



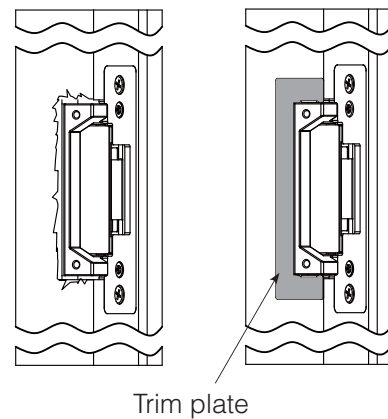
GK450/480 Series Accessories

Lip Extensions (Option)



Trim Plate

Trim plate is included to cover any imperfections caused while prepping the frame cut out.



Electric Strikes

GK460 Series

Durable, Versatile Strikes for Residential and Business



Special ramp design for quick and easy installation



GK460



The GK460 series ANSI electric strikes are designed for use with cylindrical locksets and can be installed in metal and wood door frames. The strikes can be configured to fail-safe or fail-secure on site.

Standard Features

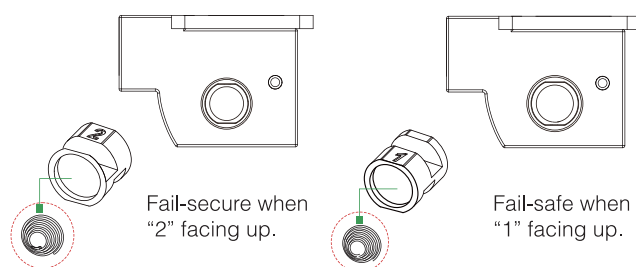
- No frame cutting is required - Special ramp design allows the latchbolt to exit from an unmodified frame
- Non-handed fully reversible
- Field reversible fail-safe or fail-secure
- Static strength 1,500 lbs (680Kg)
- Dynamic strength 70 ft-lbs
- Endurance 100,000 cycles UL tested, 1,000,000 cycles factory tested
- Brushed stainless steel (US32D) finish

Patents, Approvals, and Listings











- UL 1034 burglary resistant listed: BP10269

Changing Fail-Safe / Fail-Secure

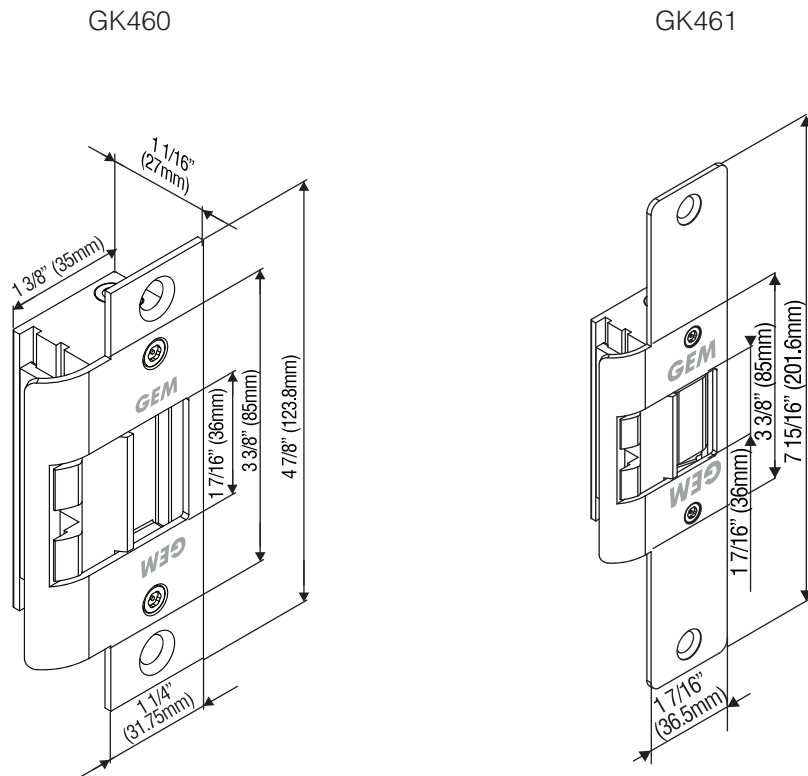
Fail-safe or fail-secure is field reversible by reversing the round screw.



GK460 Series ANSI Electric Strikes

Models	Voltage (VDC)	Latch Throw	Optional Latch Monitor	Special Ramp Design	Reversible Fail-Safe Or Fail-Secure	Frame	Body Construction
GK460 	12 or 24 12/24	9/16" (15mm)				Hollow Metal	Zinc alloy
GK460-ST 							Stainless steel
GK461 	12 or 24 12/24	9/16" (15mm)				Wood	Zinc alloy
GK461-ST 							Stainless steel

Dimensions



Electric Strikes

GK500 ANSI Series

Durable, Versatile Strikes for Residential & Business



GK555



GK570



GK580

Electric Strikes

The GK500 ANSI series electric strikes are designed for use with cylindrical locksets. The GK550/580 features hold-open function (internal) that enables the strike to stay unlocked until the actual opening of the door. The GK580/590 offers three choices of faceplate options to meet your requirements.

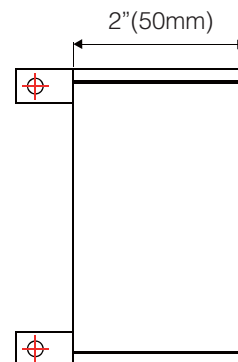
Standard Features

- Endurance 1,000,000 cycles
- Non-handed fully reversible
- Zinc alloy construction
- Static strength 1,000 lbs (454Kg)
(800 lbs (363Kg) for GK550/580 series)
- Stainless steel keeper
(Except GK550/580 series)
- Faceplate included for centerline or
offset latch entry

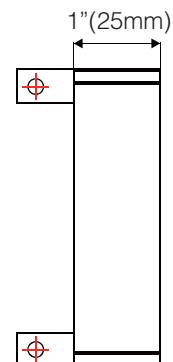
Other Features

- Internal hold-open function
- Adjustable keeper
- Includes 3 faceplates of different sizes
(For GK580/590)

GK500 ANSI Series Optional Accessories Lip Extensions (For GK580 series Only)



LP-GK580-050



LP-GK580-025

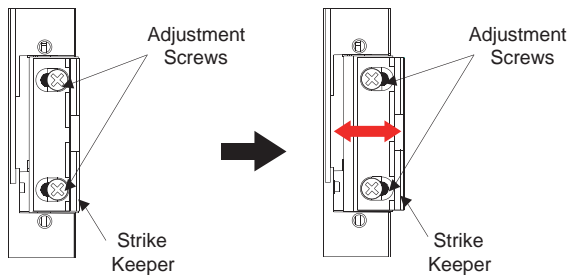
GK500 ANSI Series Electric Strikes

Models	Voltage	Mode	Latch Throw	Adjustable Keeper	Hold-Open (Internal)	Finish
For Offset Latch Entry The strike portion is not centered on the reversible faceplate.						
GK505	8-16 VAC 12 or 24VDC	Fail-secure	11/16" (16.8mm)	—	—	Satin chrome (US26D)
GK506	12 or 24VDC	Fail-safe	11/16" (16.8mm)	—	—	Satin chrome (US26D)
GK570	12 or 24VDC	Fail-safe	3/8" (9mm)	—	—	Satin chrome (US26D)
GK571	8-16 VAC 12 or 24VDC	Fail-secure	3/8" (9mm)	—	—	Satin chrome (US26D)
For Centerline Latch Entry The strike portion is centered on the reversible faceplate.						
GK507	8-16 VAC 12 or 24VDC	Fail-secure	11/16" (16.8mm)	—	—	Satin chrome (US26D)
GK508	12 or 24VDC	Fail-safe	11/16" (16.8mm)	—	—	Satin chrome (US26D)
GK550	12 or 24VDC	Fail-safe	1/2" (12mm)	●	—	Silver
	12 or 24VDC	Fail-secure	1/2" (12mm)	●	—	Silver
	12 or 24VDC	Fail-secure	1/2" (12mm)	●	●	Silver
GK555	12 or 24VDC	Fail-safe Fail-secure	1/2" (12mm)	—	—	Silver
GK580	12 or 24VDC	Fail-safe	5/8" (16mm)	●	—	Brushed stainless steel (US32D)
	12 or 24VDC	Fail-secure	5/8" (16mm)	●	—	Brushed stainless steel (US32D)
	12 or 24VDC	Fail-secure	5/8" (16mm)	●	●	Brushed stainless steel (US32D)
GK590	8-16VAC 12 or 24 VDC/AC	Fail-secure	5/8" (16mm)	—	—	Brushed stainless steel (US32D)

Notes:

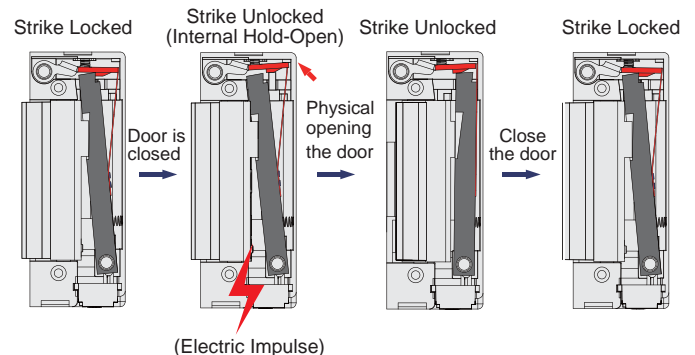
1. The GK506 also includes centerline latch entry faceplate.
2. The 580 is also compatible with mortise locksets without a deadbolt.
3. The 590 also accommodates GEM-470R/L locksets.
4. The GK505/506 series is suitable for use on wood doors.

Adjustable Keeper



The GK550/580 features an **adjustable keeper** that can be moved horizontally to compensate for installation difficulties such as warped doors.
(Maximum adjustable range: 3mm)

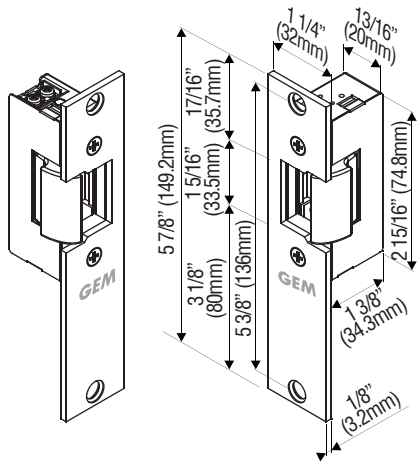
Hold-Open (Internal)



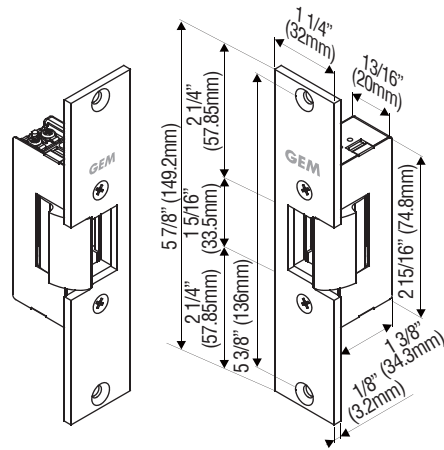
The hold-open function (Internal) enables strike to become unlocked after single electric impulse. The electric strike is open until physical opening the door, then the latch is coming back to standard position (closed). Internal hold-open has no extending switch and does not have to be adjusted to the door latch.

GK500 ANSI Series Dimensions

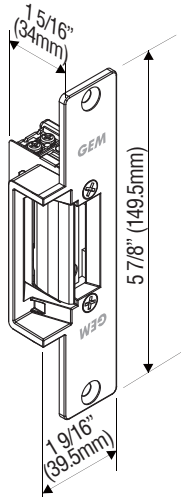
GK505/GK506



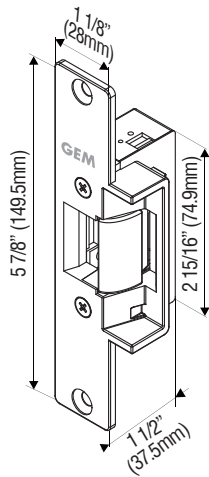
GK507/GK508



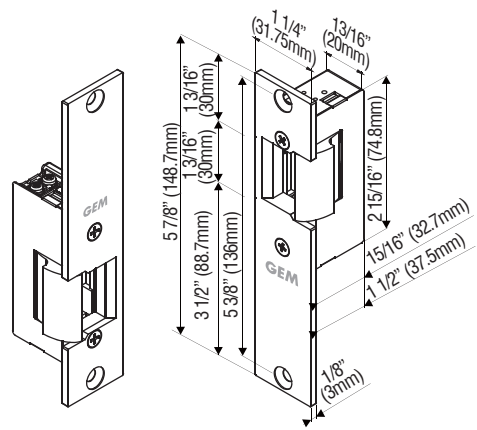
GK550



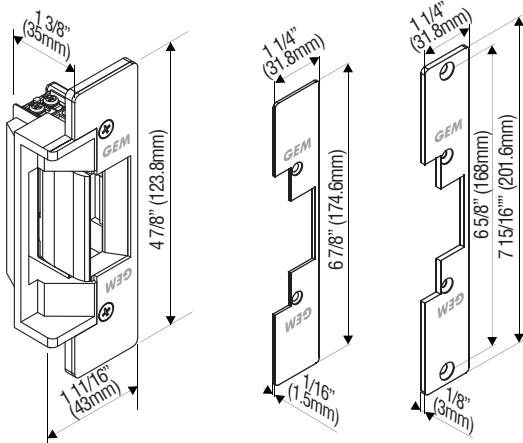
GK555



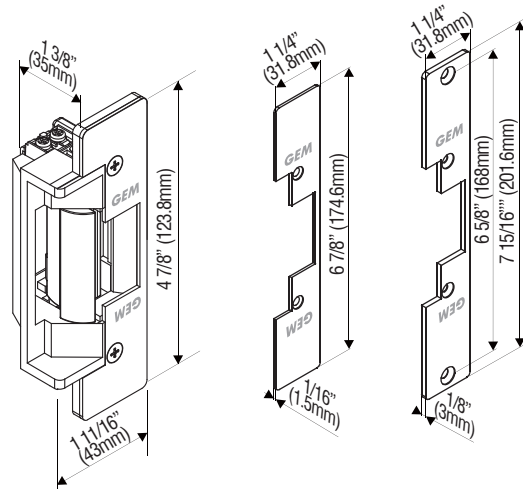
GK570/GK571



GK580



GK590



Electric Strikes

GK500 European Series

Durable, Versatile Strikes for Residential & Business



**GK500 European Series
with Faceplate Options**

**GK500
European Series**

The GK500 European series electric strikes are designed for use with a night latch or mortise lockset. The GK515/525/545 provides hold-open function (internal) that enables the strike to stay unlocked until the actual opening of the door. The GK520/525 features a mechanical lever for manual release. The GK530/540/545 electric strikes have a stainless steel keeper for enhanced security.

Standard Features

- Endurance 1,000,000 cycles
- Non-handed fully reversible
- Zinc alloy construction
- Static strength
 - 800 lbs (363Kg) : GK500, 510, 515, 520, 525
 - 1000 lbs (454Kg) : GK530, 540, 545

Other Features

- Hold-open function (Internal)
- Mechanical lever (For GK520, 525)
- Adjustable keeper
- Latch monitor

Patents, Approval, and Listings

- CE: EC741012-01 (GK500, 505, 510, 515)

Faceplates

- Brushed stainless steel/Grey powder coated finish
- 4 Faceplate options for surface or mortise installation

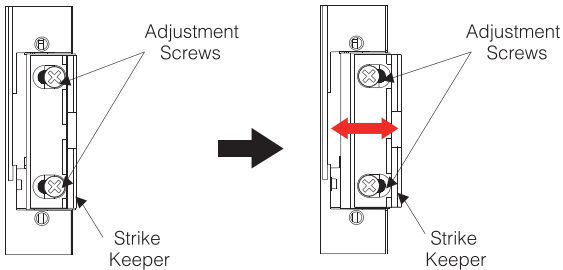
GK500 European Series Electric Strikes

Models	Voltage (VDC)	Mode	Latch Throw (mm)	Adjustable Keeper	Hold-Open (Internal)	Mechanical Lever	Optional Faceplates
GK500 * GK500M	12 or 24	Fail-safe	9	●	—	—	FP-GK160 FP-GK250 FP-GK106 FP-GK110
GK510 * GK510M	12 or 24	Fail-secure	9	●	—	—	FP-GK160 FP-GK250 FP-GK106 FP-GK110
GK515 * GK515M	12 or 24	Fail-secure	9	●	●	—	FP-GK160 FP-GK250 FP-GK106 FP-GK110
GK520	12 or 24	Fail-secure	9	●	—	●	FP-GK160 FP-GK106
GK525	12 or 24	Fail-secure	9	●	●	●	FP-GK160 FP-GK106
** GK530	12 or 24	Fail-safe	13	—	—	—	FP-GK160 FP-GK250 FP-GK106 FP-GK110
** GK540	12 or 24	Fail-secure	13	—	—	—	FP-GK160 FP-GK250 FP-GK106 FP-GK110
** GK545	12 or 24	Fail-secure	13	—	●	—	FP-GK160 FP-GK250 FP-GK106 FP-GK110

*Includes latch monitor.

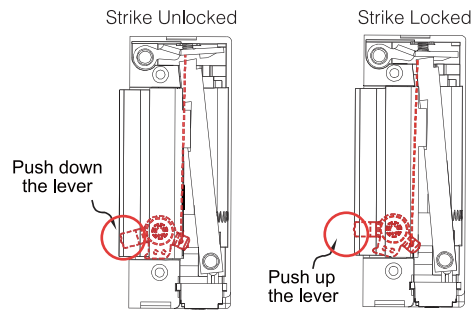
** Available with stainless steel keeper.

Adjustable Keeper



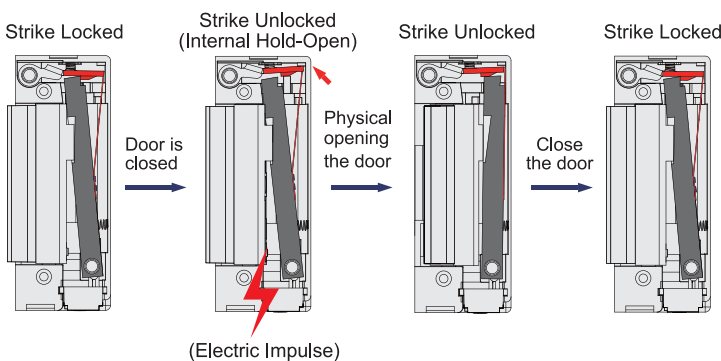
The GK500 series features an **adjustable keeper** that can be moved horizontally to compensate for installation difficulties such as warped doors. **(Maximum adjustable range: 3mm)**

Mechanical Unlocking



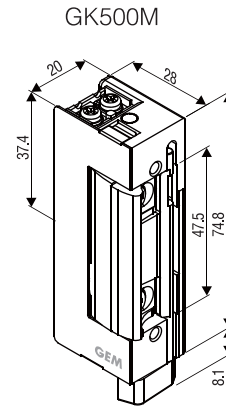
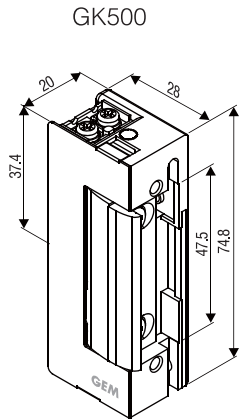
The GK520/525 features a mechanical lever that can be activated to keep the strike opened until pushed back manually.

Hold-Open (Internal)



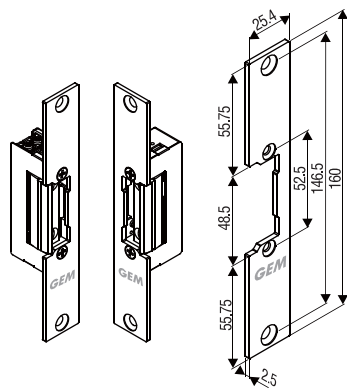
The hold-open function (Internal) enables strike to become unlocked after single electric impulse. The electric strike is open until physical opening the door, then the latch is coming back to standard position (closed). Internal hold-open has no extending switch and does not have to be adjusted to the door latch.

GK500 European Series Dimensions

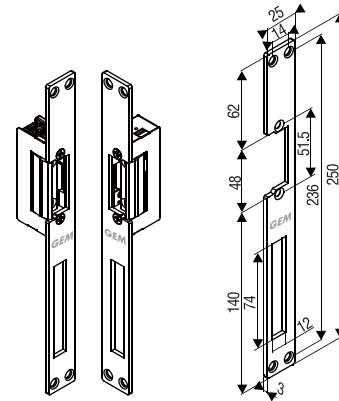


GK500 European Series with Faceplate Options

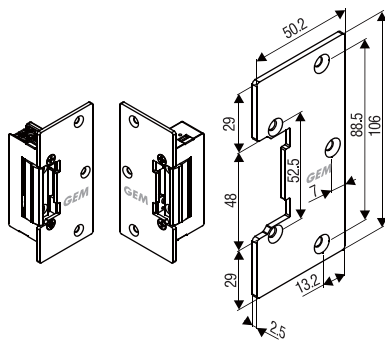
The GK500 European series electric strikes are reversible for DIN left and DIN right-handed doors and available in 4 faceplate options.



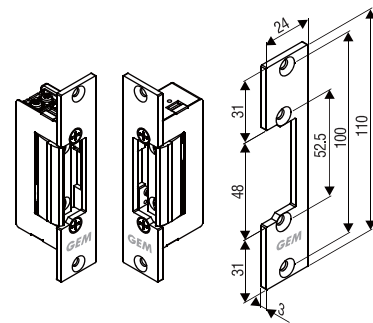
FP-GK160
(For Mortise Installation)



FP-GK250
(For Mortise Installation)



FP-GK106
(For Surface Installation)



FP-GK110
(For Mortise Installation)

All dimensions in mm

Electric Strikes

GK600 Series

Durable Strikes for Residential and Business



GK600

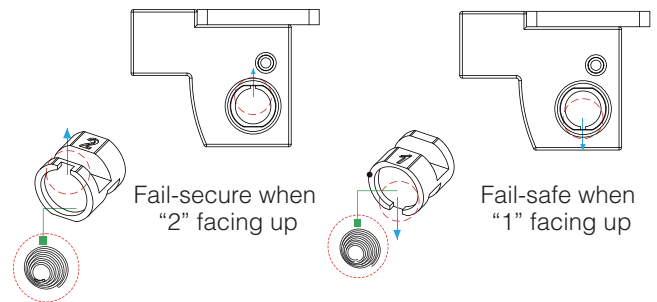
The GK600 series is a European electric strike designed for cylindrical locksets or mortise locksets with or without deadbolts. It can be installed in metal and wood door frames and is field reversible for fail-safe or fail-secure operation.

Standard Features

- 12 or 24 VDC
- Accommodates 3/8" (10mm) latchbolt
- Field reversible fail-safe or fail-secure
- Brushed stainless steel finish
- Zinc alloy construction
- Non-handed fully reversible
- Endurance 1,000,000 cycles

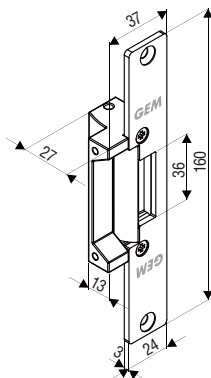
Changing Fail-Safe / Fail-Secure

Fail-safe or fail-secure is field reversible by reversing the round screw.

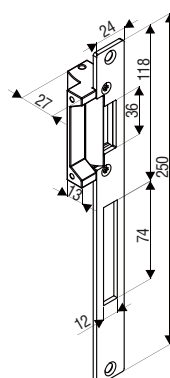


GK600 Series with Faceplate Options

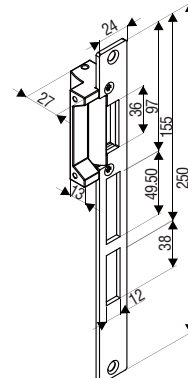
GK600



GK610



GK620



All dimensions in mm

Electric Strikes

GK700 Series

Durable Strikes for Residential and Business



GK760

GK750N

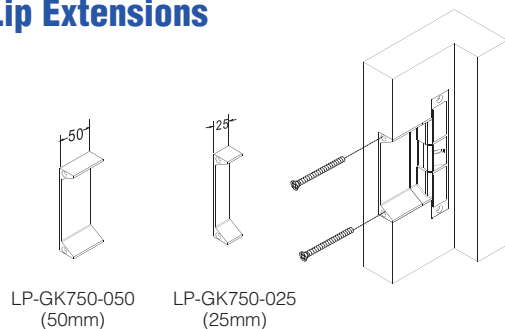


The GK700 series European electric strike is designed for use with cylindrical locksets and can be installed in metal and wood frames. It includes a latch monitor and is field reversible for fail-safe or fail-secure operation.

Standard Features

- Field reversible fail-safe or fail-secure
- Non-handed fully reversible
- Brushed stainless steel finish
- Latch monitor (Except GK770)
- Accommodates 18mm latchbolt
- Zinc alloy construction
- Static strength 1,500 lbs (680Kg)

GK700 Series Optional Accessories Lip Extensions

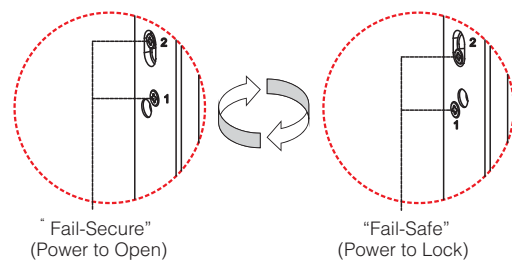


LP-GK750-050
(50mm)

LP-GK750-025
(25mm)

Changing Fail-Safe /Fail-Secure

Fail-safe or fail-secure is field reversible by changing the position of screws.



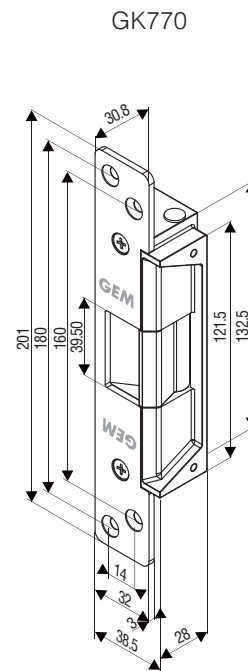
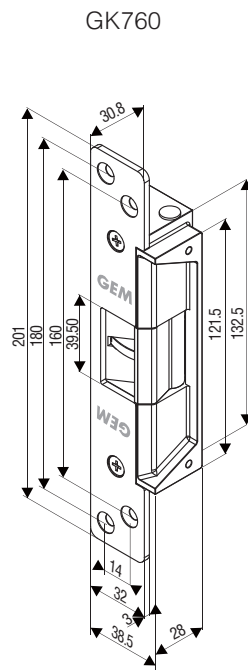
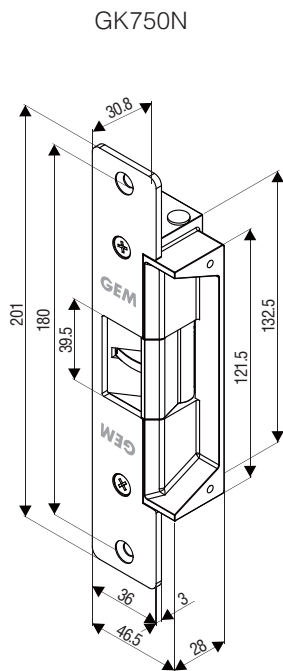
"Fail-Secure"
(Power to Open)

"Fail-Safe"
(Power to Lock)

GK700 Series European Electric Strikes

Models	Voltage (VDC/AC)	Latch Monitor	Latch Throw (mm)	Field Reversible Fail-Safe Or Fail-Secure
GK750N	12-28	●	18	●
GK760	12-28	●	18	●
GK770	12-28	—	18	●

GK700 Series Dimensions

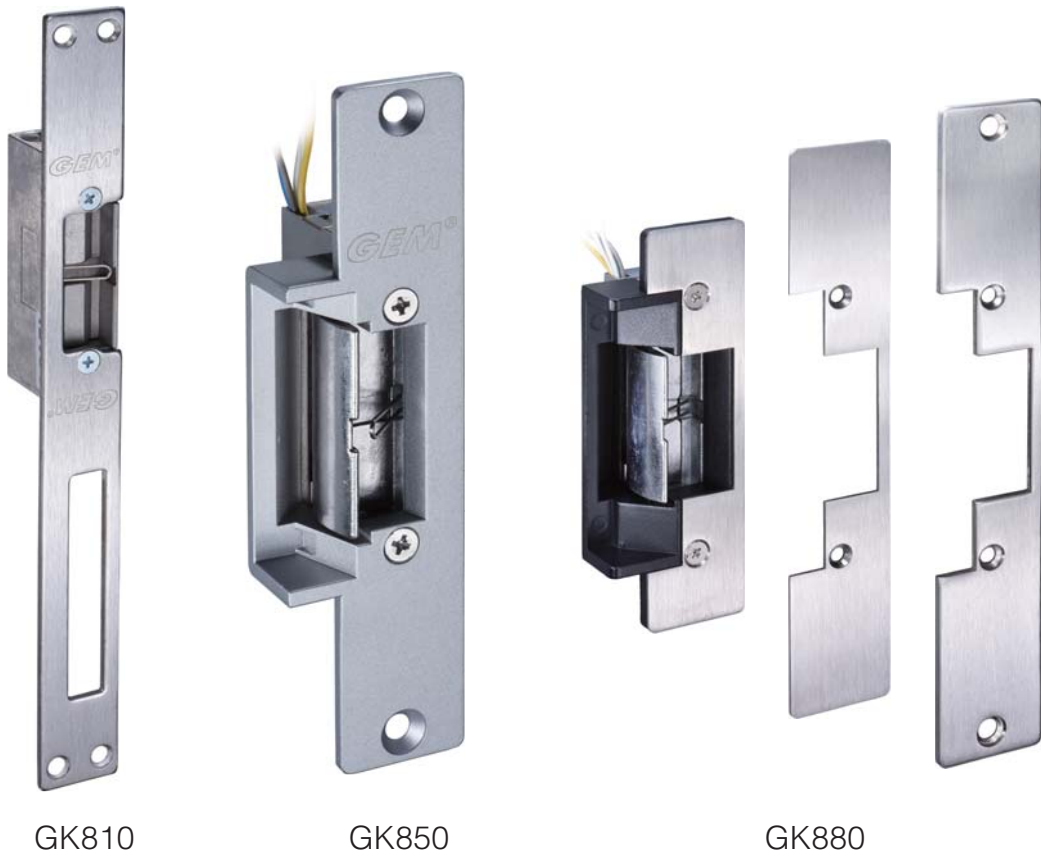


All dimensions in mm

Electric Strikes

GK800 Series

Durable Strikes for Residential and Business



The GK800 series electric strike is designed for use with cylindrical or mortise locksets. It includes an optional latch monitor and is field reversible for fail-safe or fail-secure operation.

Standard Features

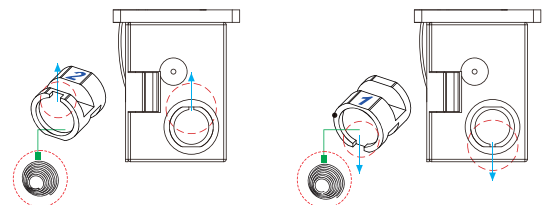
- Brushed stainless steel finish
- Endurance 1,000,000 cycles
- Field reversible fail-safe or fail-secure
- Non-handed fully reversible
- Static strength 800 lbs (363Kg)
- Zinc alloy construction
- Includes 3 faceplate of different sizes (For GK880 only)

Optional Feature

- Latch monitor

Changing Fail-Safe / Fail-Secure

Fail-safe or fail-secure is field reversible by reversing the round screw.



Fail-secure when "2" facing up.

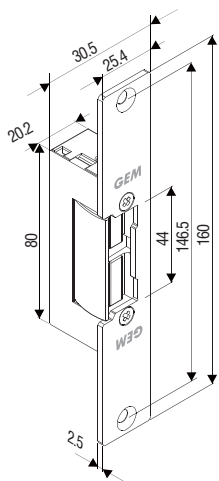
Fail-safe when "1" facing up.

GK800 Series European Electric Strikes

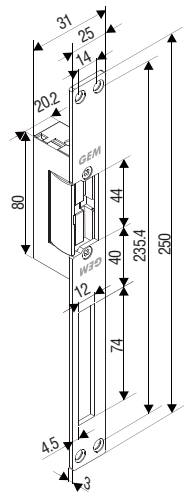
Models	Voltage (VDC)	Latch Throw (mm)	Reversible Fail-Safe Or Fail-Secure	Finish
*GK800 GK801	12 or 24 12/24	12	●	Brushed stainless steel
*GK810 GK811	12 or 24 12/24	12	●	Brushed stainless steel
*GK850 GK851	12 or 24 12/24	15	●	Silver
*GK880 GK881	12 or 24 12/24	19	●	Brushed stainless steel

*Includes latch monitor.

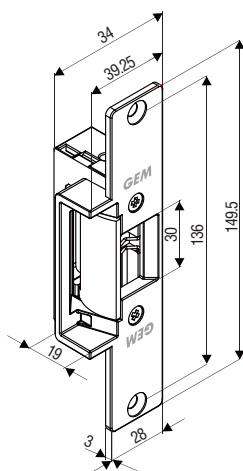
GK800 Series Dimensions



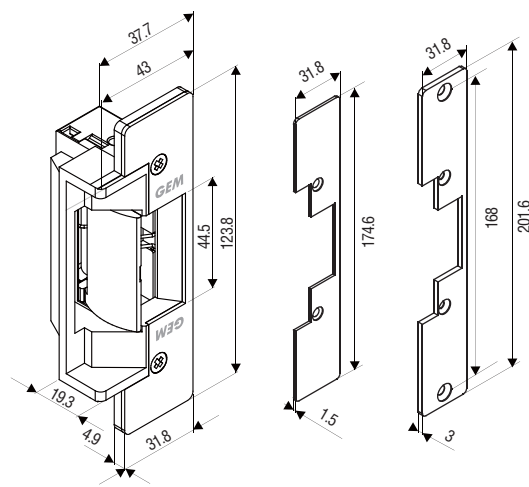
GK800



GK810



GK850



GK880

All dimensions in mm

Electric Strikes

GK1100 Rim Strike Series

Surface Mount Electric Rim Strikes



Horizontal adjustment holes



Anti-friction roller keeper

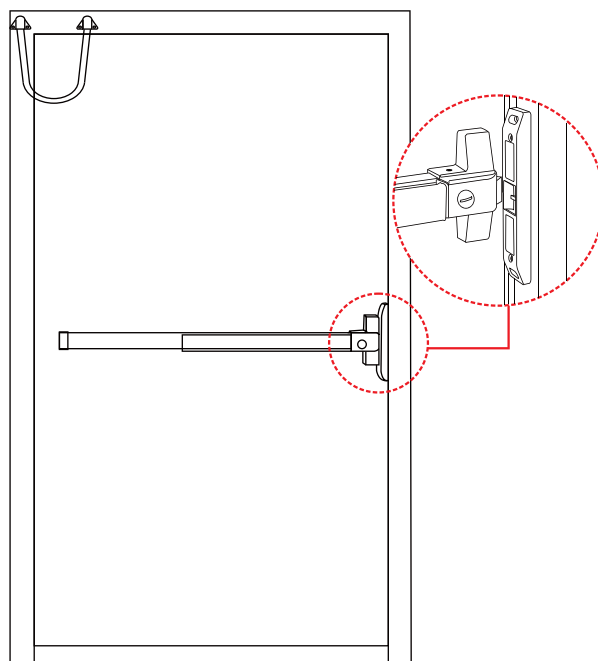


Latch monitor

The GK1100 series electric rim strike is surface mounted and designed for use with rim exit devices. It is field reversible for fail-safe or fail-secure operation.

Standard Features

- Anti-friction roller keeper for smooth operation and longer life
- Horizontal adjustment
- Field reversible fail-safe or fail-secure
- Non-handed fully reversible
- Accommodates 11/16" (17mm) latchbolt
- Static strength 1,500 lbs (680Kg)
- Latch & lock monitor (GK1100 only)
- Surface mounted
- Zinc alloy body construction in black finish

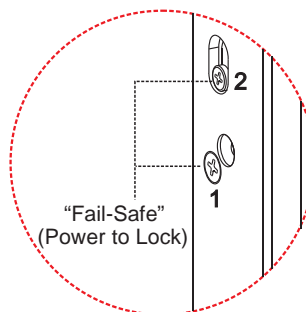
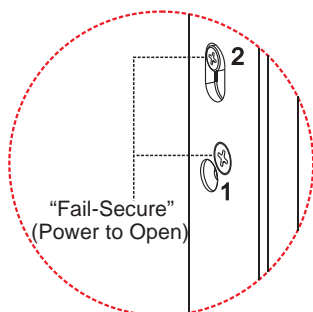


GK1100 Series ANSI Electric Rim Strikes

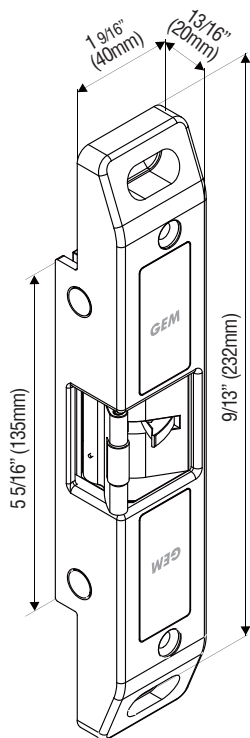
Models	Voltage (VAC/VDC)	Monitoring Output	Field Reversible Fail-Safe Or Fail-Secure	Static Strength (lbs.)
GK1100	12 to 28	Latch monitor, Lock monitor	●	1500
GK1150	12 to 28	Unmonitored	●	1500

Changing Fail-Safe / Fail-Secure

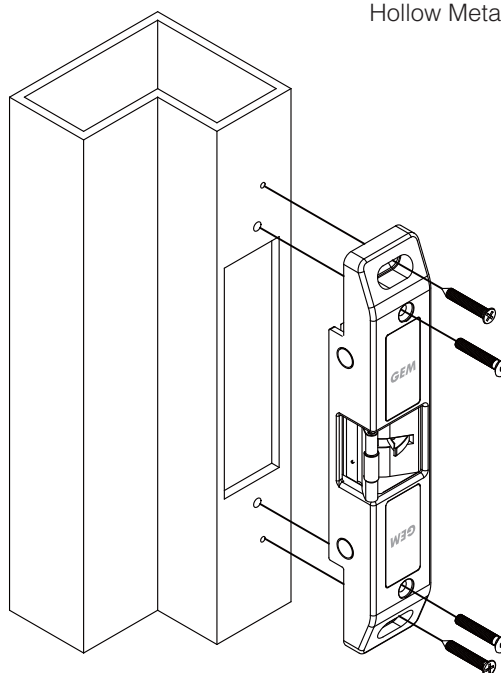
Fail-safe or fail-secure is field reversible by changing the position of screws.



GK1100 Series Dimensions



Hollow Metal Installation



Electric Strikes

GK1270 Rim Strike Series

Preload Solution for Rim Exit Devices



GK1270



The GK1270 ANSI electric rim strike series is surface mounted and designed with strength and durability for use with rim exit devices with a 3/4" (19mm) throw Pullman latchbolt. It features an optional latch monitor, and has a 3/4" (19mm) thick metal housing. No cutting on the frame is required for installation.

Field Selectable for Fail-Safe or Fail-Secure

The GK1270 series is field selectable for fail-safe or fail-secure operation, or for 12 or 24VDC.

Standard Features

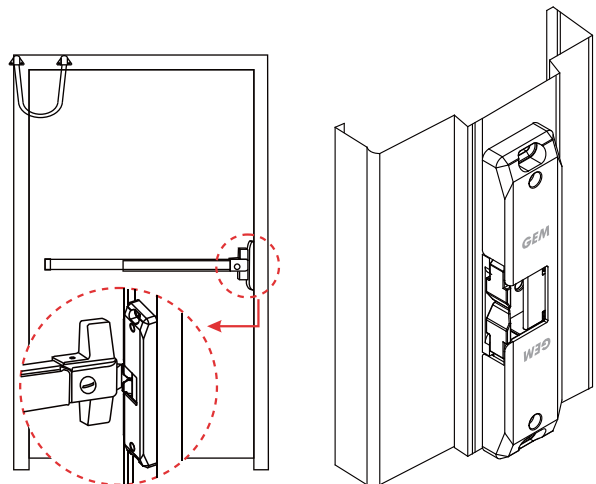
- Field selectable 12 or 24VDC
- Field reversible fail-secure or fail-safe
- No frame cutting required - surface mounted
- Non-handed fully reversible
- Horizontal adjustment
- Static strength 1,500 lbs (680Kg)
- Dynamic strength 70 ft-lbs
- Endurance rating 250,000 cycles UL tested, 1,000,000 cycles factory tested
- Brushed stainless steel finish (US32D)

Optional Feature



- Latch monitor

Patents, Approvals, and Listings

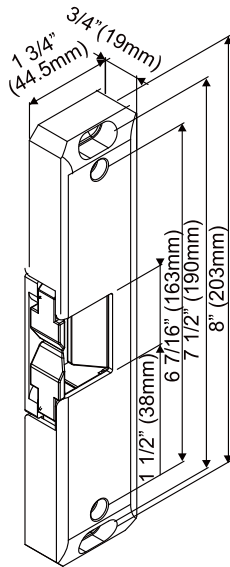
- UL 1034 burglary resistant listed: R10269



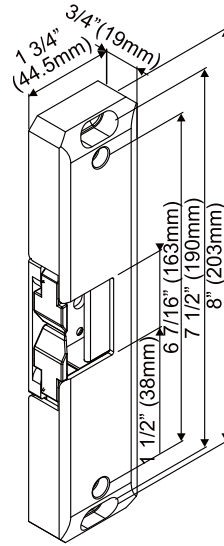
GK1270 Series ANSI Electric Rim Strikes

Models	Voltage (VDC)	Latch Monitor	Housing Thickness	Mode
GK1270 	12/24	—	3/4" (19mm)	Field reversible fail-safe or fail-secure
GK1270M 	12/24	●	3/4" (19mm)	Field reversible fail-safe or fail-secure

GK1270 Series Dimensions



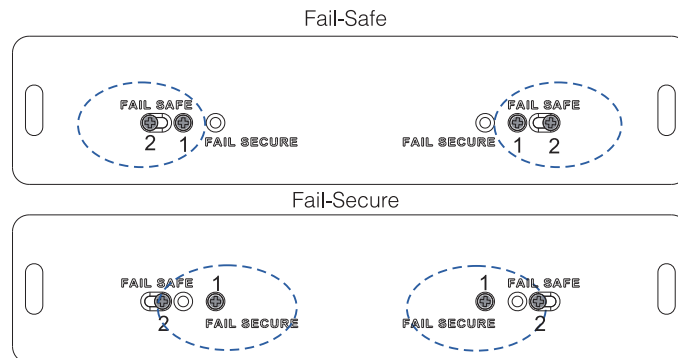
GK1270



GK1270M

Changing Fail-Safe / Fail-Secure

Fail-safe or fail-secure is field reversible by changing the position of screws.



Electric Strikes

GK1300/1350 Series

Strong, Durable Strikes in One Kit Solution



The GK1300/1350 series ANSI electric strike is designed for use with heavy duty mortise locksets and cylindrical locksets. It comes with five different faceplates and can be easily installed in aluminum, metal or wood door frames. An optional plug-in latch monitor is also available and can be easily added in the field.

Standard Features

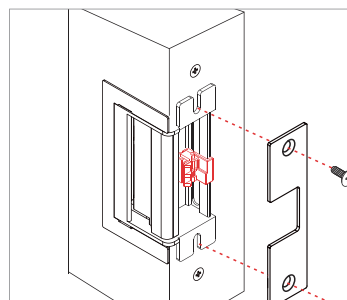
- Vertical adjustments allow for alignment with a wide variety of mortise locks with offset latches
- Sliding keeper shim design for up to 1/8" (3mm) adjustment for misaligned frames
- Accommodates deadbolts up to 1"
- Field reversible for fail-safe or fail-secure
- Non-handed design fits either right or left handed doors
- Optional latch monitor SW1300 - Indicates when door is latched
- Includes 5 brushed stainless steel faceplates (US32D)
- Endurance rating 250,000 cycles UL tested, 1,000,000 cycles factory tested

Patents, Approvals, and Listings

- UL 1034 burglary resistant listed : BP10269

SW1300 Latch Monitor

The optional SW1300 latch monitor can be mounted in the strike cavity to correspond to latch position.

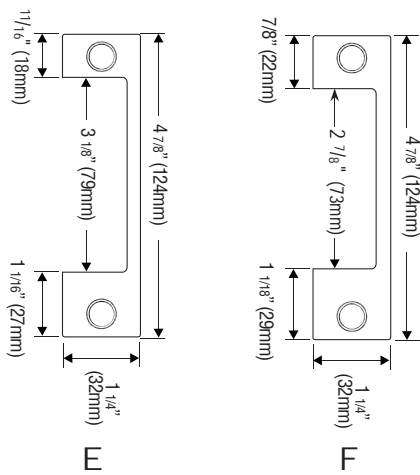


GK1300/1350 Series Electric Strikes

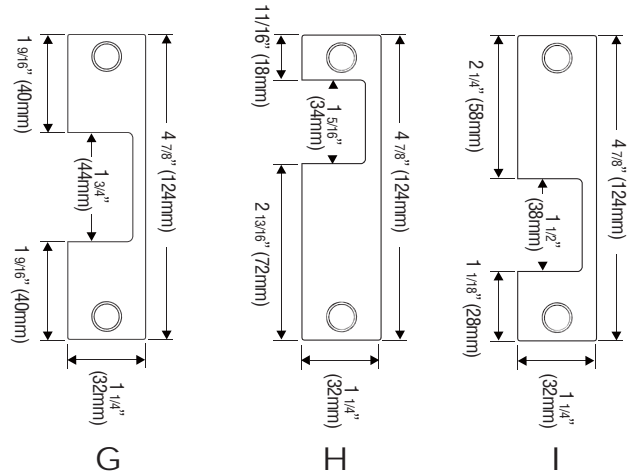
Models	Voltage (VDC)	Latch Throw	Optional Plug-in Latch Monitor (SW1300)	Static Strength (lbs)	Dynamic Strength (ft-lbs)	Reversible Fail-Safe or Fail-Secure	Trim Plate	Body Construction
GK1300 <small>SECURITY UL LISTED</small>	12 or 24 12/24	1" (25 mm)	●	1000	33	●	●	Brushed stainless steel
GK1350	12 or 24 12/24	1" (25 mm)	●	1500	70	●	—	Zinc alloy
GK1350-ST	12 or 24 12/24	1" (25 mm)	●	1500	70	●	—	Brushed stainless steel

GK1300/1350 Series Faceplates Dimensions

Deadbolt Latch Installation

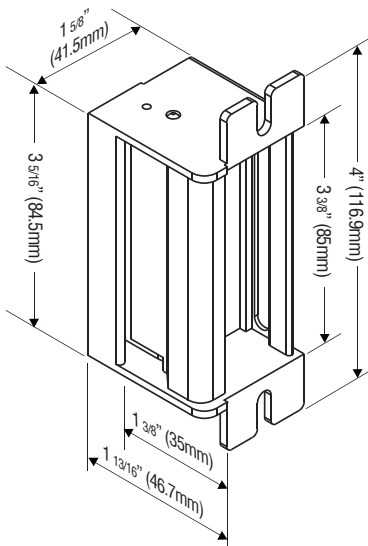


Latchbolt Installation



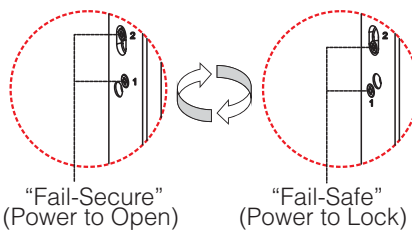
Note: If it is necessary to cut a hole in the frame, mounting tabs maybe required to strengthen the installation.

GK1300/1350 Series Dimensions

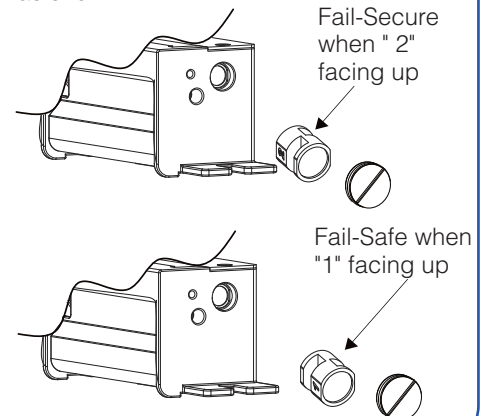


Changing Fail-Safe / Fail-Secure

GK1300 is field reversible for fail-safe or fail-secure by changing the position of screws.



GK1350 is field reversible for fail-safe or fail-secure by reversing the round screw as shown.



Electric Strikes

GK1480 Series

Durable Strikes for Glass Door Application



Horizontal faceplate adjustment compensates for misalignment

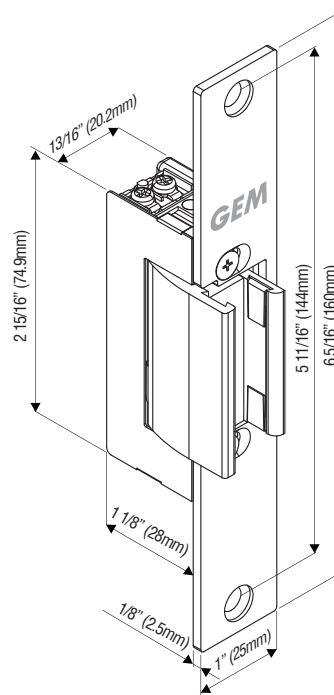


The 1480 series electric strike is designed for use on glass doors. It is reversible for right or left handed doors and can be installed at the top and side of the door.

Standard Features

- Easy installation
- 12 or 24 VDC
- Non-handed
- Fail-safe (For GK1480) or Fail-secure (For GK1481)
- For 10 mm or 12mm thick glass doors
- Includes black shims for 10mm thick glass door application
- Brushed stainless steel (US32D) finish
- Zinc alloy construction
- Horizontal faceplate adjustment compensates for misalignment

GK1480 Series Dimensions



Electric Strikes

GK1700 Series

Compact, Versatile, and Durable Strikes



GK1700-01



GK1700-02



GK1700-03

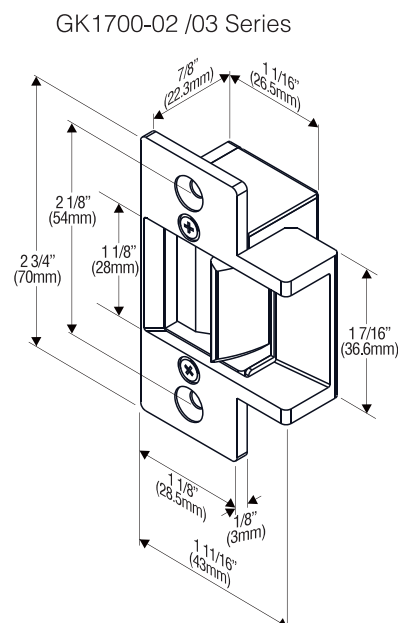
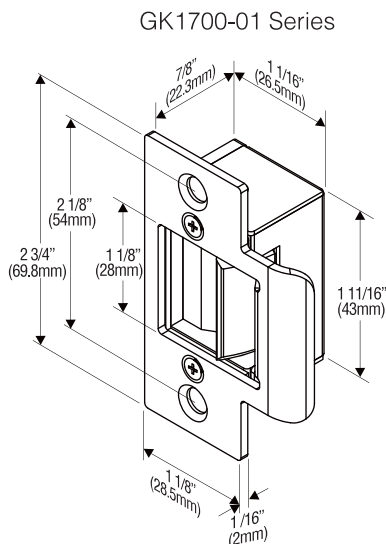
Electric Strikes

The 1700 series electric strike is extremely small and suitable for any type of door frame. Compact design allows the strike to easily fit in any tight or difficult installation.

Standard Features

- Quick and easy installation
- Non-handed
- Fail-secure
- Accommodates 1/2" (13mm) latchbolt
- Works with cylindrical locksets or GEM LS2200 door latch
- 12 or 24 VDC, 3 to 6 VDC or 8 to 16 VAC
- Endurance 250,000 cycles
- Static strength 1,000 lbs (454 kg)
- Zinc alloy construction
- Available with 3 finishes: Brushed stainless steel (US32D), Silver, US40 Duranodic (Dark Bronze)

GK1700 Series Dimensions



Cabinet Locks



CK100



GL-80F

Selector Chart

	Fail-safe	Fail-secure	Motor Operation	Proximity	Lock Monitor	Latch Monitor	80lbs Holding Force	Spring Door Release	Relock Time Delay
CK100		V	V		V	V		V	V
GL-80F	V				V		V		

Cabinet Locks

Convenient and Secure Locking Solution



CK100

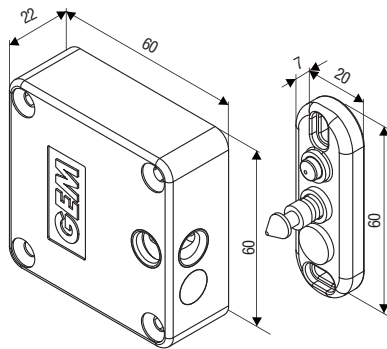


GL-80F

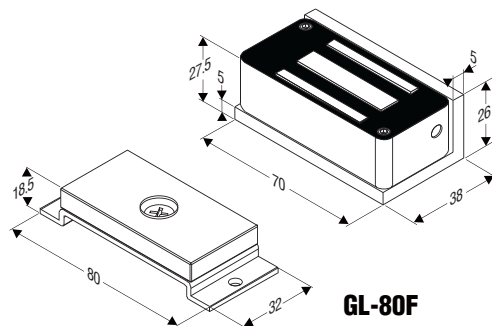


GEM Cabinet Locks are compact and consume little energy. The CK100 Cabinet Lock is motor operated and includes lock and door status monitoring outputs. The GL-80F Mini Electromagnetic Lock has a stainless steel housing and provides 80lbs. of holding force for small access control applications.

	CK100 Cabinet Lock	GL-80F Mini Electromagnetic Lock
Voltage	12-28 VAC/DC	12 or 24 VDC
Mode	Fail-secure	Fail-safe
Operation	Motor	—
Spring Door Open Release	•	—
Proximity	—	—
Monitoring Output	Lock & Door status monitor	Optional bond sensor
Relock Time Delay	•	—
Applications	<ul style="list-style-type: none"> • Can be fitted to drawers, filing cabinets, drug cabinets, gym lockers • Various mounting positions • Compatible with existing keypads or readers • Can be integrated with access control system 	



CK100



GL-80F

All dimensions in mm

Cabinet Locks

Electric Locks



ML-200N-SW



ML-300-SW

Selector Chart

	Horizontal or Vertical	Vertical	Lock Monitor	Latch Monitor	Fail-Safe	Reversible Fail-safe or Fail-secure	Preload (Side Load)	Fire-Rated	Mechanical Override
ML-210-SW	V		V			V			
ML-300-SW		V	V			V			V
ML-350 ML-360	V		V	V	V		V	V	

Electric Locks

Secure, Durable Locks and Preload Solution



ML-350



ML-360

BMTRADA

FIRE Tested BSEN 1634-1: 2014
and BSEN 1363-1: 2012

BS EN 14846

NF S 61-937



The GEM family of electric locks are high performance locks for double swing doors. The ML-300-SW comes with a key cylinder as an option, and also the bolt deadlocks automatically when the door is closed to be secured.

Preload

The ML-350/360 Series has a robust stainless steel construction and is designed with its **high preload release capability**. It opens electrically with up to 500lbs of preload that allows smooth operation under varying loads on the doors and overcomes door preload problems, such as air-conditioning pressure, warped doors, or heavy weather stripping seals.

Standard Features

- For double swing doors
- For narrow frames
- Brushed stainless steel finish

Other Features

- Field reversible fail-safe or fail-secure (For ML-210N-SW/ML-300-SW)
- Lock and latch monitor (For ML-350/360)
- Optional key/thumbturn override (For ML-300-SW)

Patents, Approvals, and Listings

- CE: EN14846: 3Y5-0G101 (ML-350/ML-360)
- CE: EC303155 (ML-350)
- CE: EC9D3005 (ML-300/ML-210)
- NF S 61-937 Compliant (ML-350/ML-360)
- Patented in China (ML-300/ML-210)
- Patented in Taiwan (ML-300/ML-210)
- Patented in US (ML-300/ML-210)

Electric Locks

Models	Voltage	Lock Monitor	Latch Monitor	Installation Direction	Fail-Safe	Reversible Fail-Safe Or Fail-Secure	Optional Accessory	Pre-Load (Side Load) 500 lbs.	Fire-Rated
ML-210N-SW	12 to 24 VDC/AC	●	—	Horizontal or Vertical	—	●	—	—	—
ML-300-SW	12 to 24 VDC/AC	●	—	Vertical	—	●	Cylinder Key	—	—
ML-350 *ML-360	12 or 24 VDC	●	●	Horizontal or Vertical	●	—	—	●	●

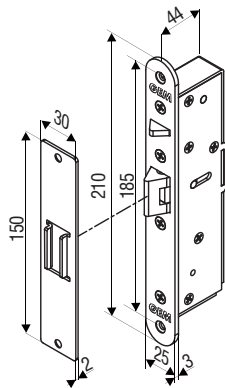
*Available with surface mount back box.

Optional Cylinder & Key Accessories (For ML-300-SW)

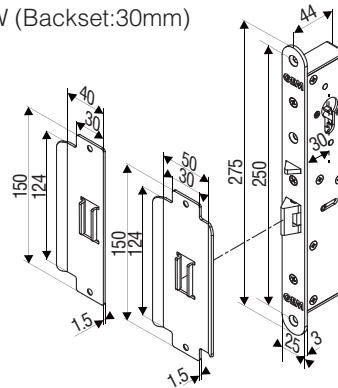
Models	Descriptions
ECY-72S	Euro-profile single side cylinder, 72mm
ECY-72D	Euro-profile double side cylinder, 72mm
ECY-72D-BL	Blue key, Euro-profile double side cylinder, 72mm
ECY-72D-RE	Red key, Euro-profile double side cylinder, 72mm

Electric Locks Dimensions

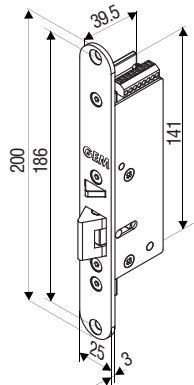
ML-210N-SW



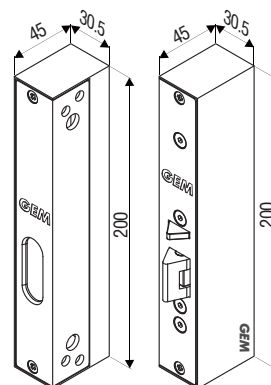
ML-300-SW (Backset:30mm)



ML-350



ML-360



All dimensions in mm

Electric Dropbolts



EB180



EB300VGL



EB400NDB



EB265

Selector Chart

	Horizontal or Vertical	Vandal Resistant	Energy Saving Design	Double Swing Door	Single Swing Door	Bolt Status Sensor	Door Position Sensor	Relock Time Delay	Mechanical Override	Optional Brackets
Fail-safe Series	V	V	V	V		V	V	V		V
Fail-secure Series	Vertical Only	V	V		V	V		V	V	

Electric Dropbolts

Fail-Safe Series

Secure and Intelligent Bolts



Adjustable Ball Catch
for Proper Alignment



Adjustable Sensor Magnet



EB262N



UBK-262N
Optional Glass
Door Bracket for
EB220N/262N

The Fail-Safe series electric dropbolt can be mounted horizontally or vertically and provides various functions. It is designed for use on double action doors and ideal for applications where an electromagnetic lock or electric strike is impractical. Surface mount models are also available for hollow metal door and frameless glass door applications.

Standard Features

- Vandal resistant - The lock cannot be defeated by slipping a metal object between lock and the strike plate
- Built-in intelligent electronics allows the bolt to project several times if the door is not closed properly (Except EB200NLW, EB300 Series)
- Horizontal or vertical installation
- Built-in bolt status sensor and door position sensor
- Relock time delay

Other Features

- Buzzer alarm /Door ajar alarm (For EB220NDB, 262NDB, 400NDB)
- Push button trigger input (For EB190TG, 195TG)
- Adjustable sensor magnet in the strike plate/ bracket to accommodate various door gaps (For EB200NLW, 220N, 262N Series)
- Adjustable ball catch to overcome misalignment (For EB262N)
- Mounting brackets available for metal door frame, frameless glass door (For EB220N, EB262N)

Patents, Approvals, and Listings

CE: EC262504-01

Electric Dropbolts Fail-Safe Series

Models	Voltage (VDC)	Current Draw		Functions					Finish		
		Pull in (Amp)	Holding (Amp)	BSS	DPS	Relock Timer	Trigger Push Button	Buzzer Alarm	SS	AA	
Mortise Mount											
EB180 EB185	12 24	0.9	0.15	●	—	●	—	—	●	—	
		0.4	0.1								
EB190TG EB195TG	12 24	0.9	0.15	●	●	●	●	—	●	—	
		0.45	0.1								
EB200NLW	12	0.9	0.3	—	●	●	—	—	—	●	
EB220N EB220NDS EB220NDB	12	0.9	0.3	●	—	●	—	—	—	—	
				●	●	●	—	—	●	—	
				●	●	●	—	—	—	—	
EB262N EB262NDS EB262NDB	12	0.9	0.3	●	—	●	—	—	—	—	
				●	●	●	—	—	—	●	—
				●	●	●	—	—	—	—	—
Surface Mount											
EB185S	12 24	0.9	0.15	●	—	●	—	—	—	●	
		0.4	0.1								
EB195TGS	12 24	0.9	0.15	●	●	●	●	—	—	●	
		0.45	0.1								
EB300	12	0.9	0.3	—	●	●	—	—	—	●	
EB400NDS EB400NDB	12	0.9	0.3	●	●	●	—	—	●	—	
				●	●	●	—	—	—	—	
Surface Mount (For Glass Doors and Walls)											
EB195TGVGL	12 24	0.9	0.15	●	●	●	●	—	—	●	
		0.45	0.1								
EB200NVGL	12	0.9	0.3	—	●	●	—	—	—	●	
EB300VGL	12	0.9	0.3	—	●	●	—	—	—	●	

Note:

EB220N Series has 32/35/38mm faceplate options:

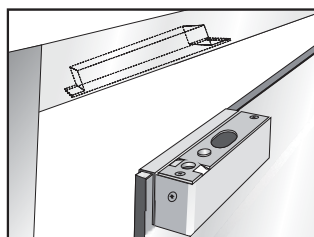
EB220N has 220 x 32 mm faceplate with brushed stainless steel finish.

EB220N-35 has 220 x 35 mm faceplate with silver finish.

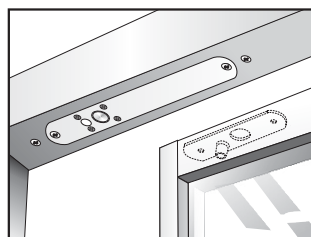
EB220N-38 has 220 x 38 mm faceplate with brushed stainless steel finish.

BSS: Bolt status sensor **DPS:** Door position sensor **SS:** Brushed stainless steel **AA:** Clear anodized aluminum

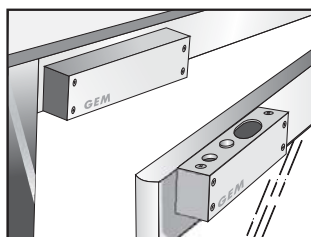
Applications



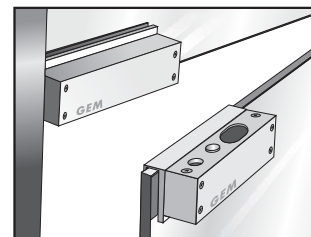
Frameless Glass Door Installation (For Metal Door Frame)



Mortise Installation

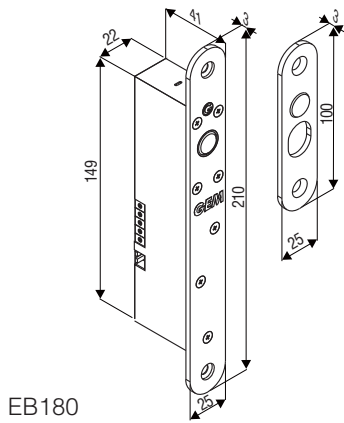


Surface Installation

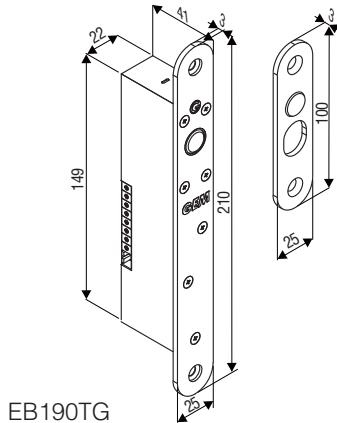


Glass Door and Wall Installation

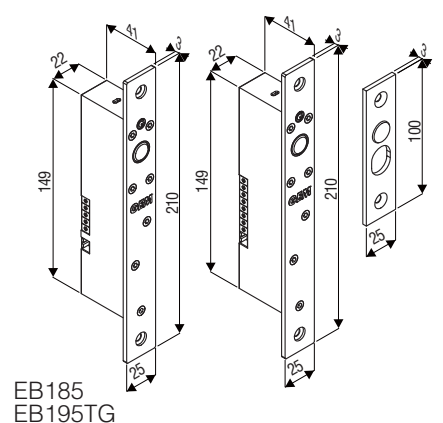
Fail-Safe Series Dimensions Mortise Mount



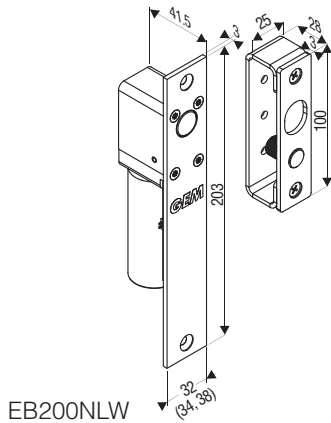
EB180



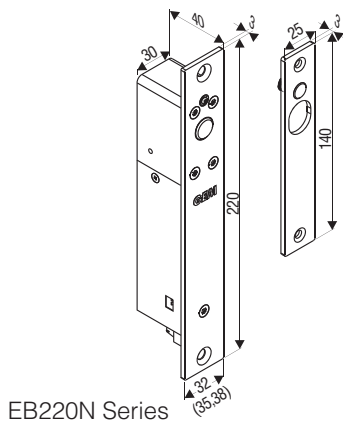
EB190TG



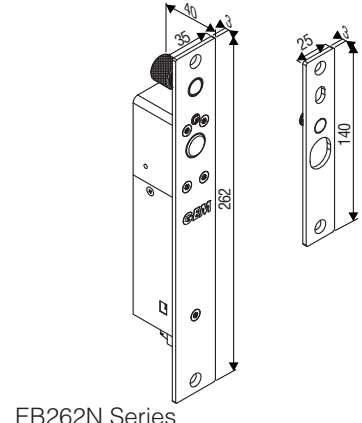
EB185
EB195TG



EB200NLW

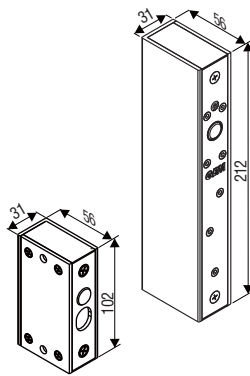


EB220N Series

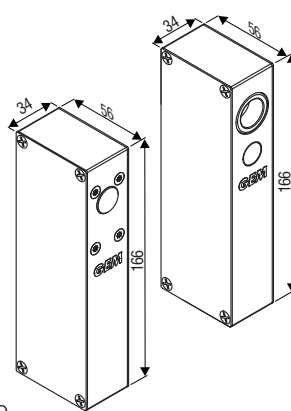


EB262N Series

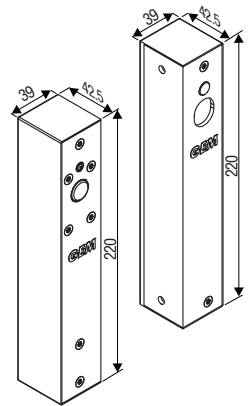
Surface Mount



EB185S/EB195TGS

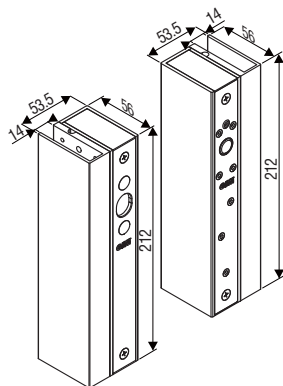


EB300

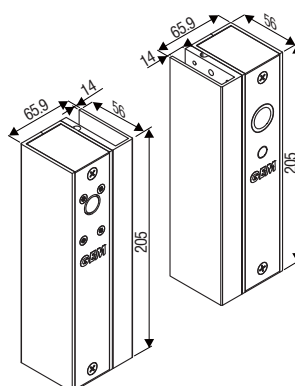


EB400NDS/NDB

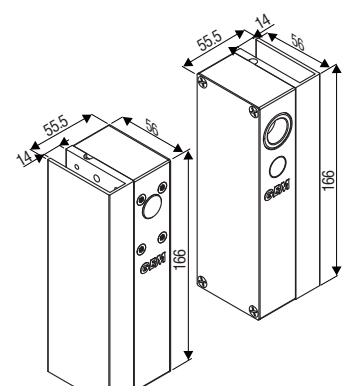
Surface Mount for Glass Doors/Walls



EB195TGVGL



EB200NVGL



EB300VGL

All dimensions in mm

Electric Dropbolts

Fail-Secure Series

Secure and Intelligent Bolts



Adjustable Sensor Magnet



Mechanical Override



Reversible Latchbolt

Auxiliary Deadlatch
for Higher Security
Control

The Fail-secure series electric dropbolt is designed for use on single action doors.

With a Euro-profile cylinder, the Electric Dropbolts Fail-Secure series can even be operated manually in case of power failure. The EB261/265/270 series features a beveled, reversible latchbolt that allows the handing to be changed in seconds. The EB270 is also designed with a deadlatch to prevent the latchbolt from being forced back with a knife or card when the door is closed.

Standard Features

- For single action doors
- Built-in bolt status sensor
- Reversible latchbolt for easy installation (Except EB260-N)
- Optional key/thumbturn override


Other Features

- Relock time delay (For EB260-N)
- Adjustable sensor magnet in the strike plate to accommodate various door gaps (For EB260-N)
- Auxiliary deadlatch for higher security control (For EB270)

Patents, Approvals, and Listings

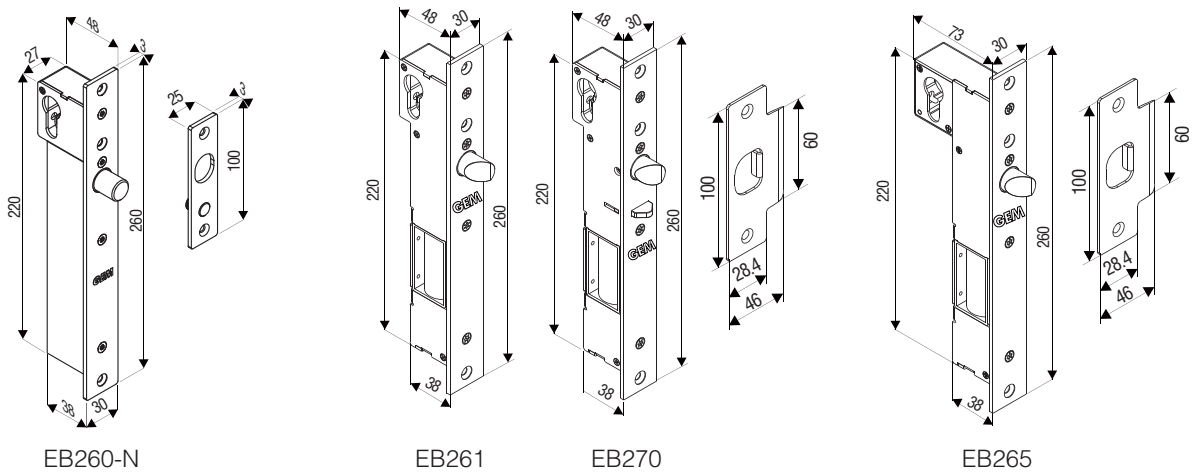
- CE: EC262504-01 (EB261)
- Patented in Taiwan (EB270)

Electric Dropbolts Fail-Secure Series

Models	Voltage	Current Draw	Functions				Backset (mm)	Finish
			Relock Timer	Bolt Status Sensor	Reversible Latchbolt	Deadlatch		
EB260-N	12 to 28 VDC	1.2A/12VDC	●	●	—	—	35	SS
EB261 EB261M 	12 to 24 VAC/VDC	1.2A/12VDC	—	●	●	—	35	SS
EB265 EB265M	12 to 24 VAC/VDC	1.2A/12VDC	—	●	●	—	55	SS
EB270 EB270M	12 to 24 VAC/VDC	1.2A/12VDC	—	●	●	●	35	SS

SS: Brushed stainless steel

Fail-Secure Series Dimensions



All dimensions in mm

Optional Cylinder & Key Accessories for Fail-Secure Series

ECY-72S
Euro-profile thumbturn cylinder



ECY-72D
Euro-profile double cylinder



ECY-72D-BL
Blue key



ECY-72D-RE
Red key



Shear Locks



GS200



GS705N



GS705

Selector Chart

	Horizontal or Vertical	Narrow Frames	Double Swing Door	Bond Sensor	Fail-Safe	Relock Time Delay	Optional Brackets
GS200 Series	V	V	V	V	V		V
GS705 Series	V	V	V	V	V	V	V

Shear Locks

Shear Aligning Electromagnetic Lock Hidden Strength at Any Angle with Its Flexible Mounting Options Solutions



GS200

GS705

GS705N

GEM shear locks offer totally concealed mechanism and are designed for applications where the door swings up to a 180 degree. When the shear lock detects the door in the closed position, the magnet “sucks” the armature plate up and traps the armature plate in the lock frame. Generally a 2 -3 mm gap between the top of the door and the frame is optimum for the electromagnet to attract the armature plate and keep the door locked.

The built-in bond sensor indicates proper armature contact, and eliminates potential lock misalignment before the magnet is permitted to energize.

Standard Features

- Suitable for narrow frames, double swing doors and glass doors
- Fail-safe
- Horizontal or vertical installation
- Surface /Mortise/Semi-Mortise mounted
- Bond sensor indicates door is locked or unlocked (GS200 is available with optional bond sensor)













Optional Features

- Mounting brackets available for easy installation (For GS200, 705-35)

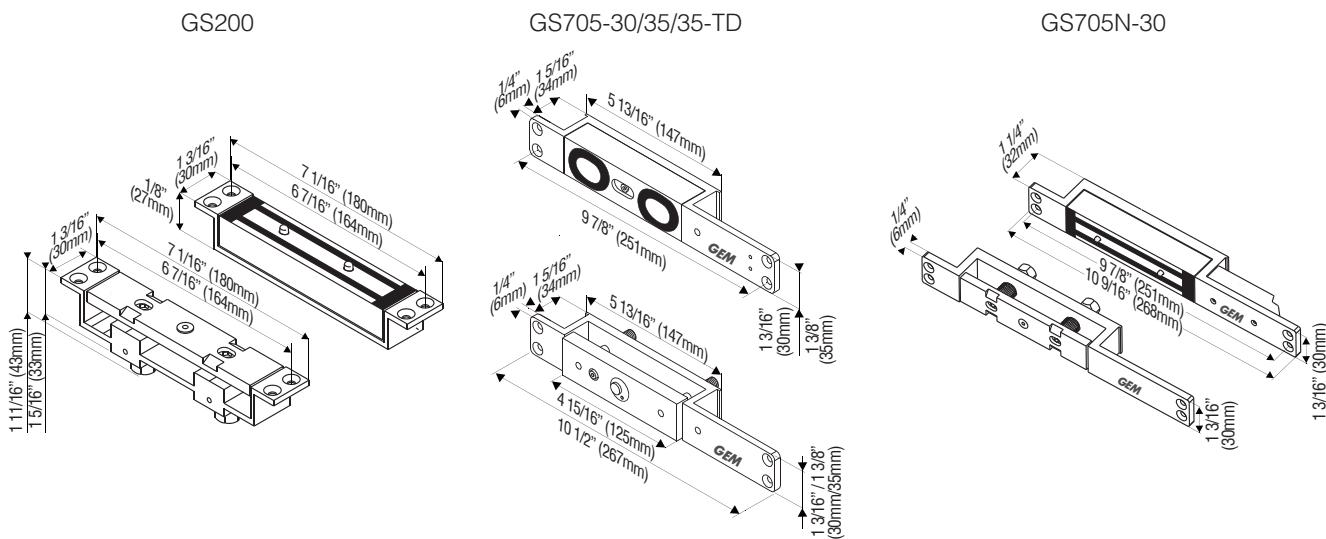
Patents, Approvals, and Listings

- UL listed: BP9692 (GS200, GS200M)
- CE : EC3D0909-02

Shear Locks

Models	Voltage (VDC)	Bond Sensor	Holding Force (lbs.)	Relock Time Delay	Door Gap	Mount	Optional Brackets
GS200  	12/24	—	1200	—	1/16" (2mm)	Mortise, Semi-Mortise, Surface	SMB-200
GS200M  	12/24	●	1200	—	1/16" (2mm)	Mortise, Semi-Mortise, Surface	SMB-200
GS200VGL  	12/24	—	1200	—	1/16" (2mm)	Surface, Semi-Mortise	SMB-200 UBK-182
GS200MVGL  	12/24	●	1200	—	1/16" (2mm)	Surface, Semi-Mortise	SMB-200 UBK-182
GS705-30 	12 to 24	●	2000	1~6 sec. (Default 3 sec.)	1/8" (3mm)	Mortise	—
GS705-35 	12 to 24	●	2200	1~6 sec. (Default 3 sec.)	1/8" (3mm)	Surface, Mortise, Semi-Mortise	SMB-001
GS705-35TD 	12 to 24	●	2200	1~15 sec. (Default 3 sec.)	1/8" (3mm)	Surface, Mortise, Semi-Mortise	SMB-001
GS705N-30 	12/24	●	1200	—	1/16" (2mm)	Mortise	—

Dimensions



Surface Mount Models & Mounting Brackets

GS200S/GS200MS	GS200VGL/200MVGL (For Glass Doors and Walls)	Mounting brackets for GS705-35/ 35-TD
GS200 + SMB-200 bracket 	GS200 + SMB-200 bracket + UBK-182 bracket 	SMB-001 

Glass thickness: 3/8"~1/2" (10~12mm)

Access Controls

Selector Chart

	Bluetooth Proximity	Fingerprint	Keypad	Keypad + Proximity	Proximity Reader	# Users	# Doors	# Fingerprints	Wiegand Output	Spilt Keypad and Controller	Backlit Keypad	Piezo Keypad	Door Bell	Software Program/APP	EM125KHz	Mifare 13.56MHz	Controllers
E-Access E1196	V					196	1							V			
DG-ea400		V	V			100	1	100									
DG-185			V			1000+10	2					V					
DG-187			V			1000+10	2			V		V					
DG-195			V			99	1				V		V				
DG-200			V			200+10	2										
DG-15LD			V			20+1	2				V						
DG-25LD			V			49+50	2				V						
DG-35LD			V			200	1			V	V						
DG-101 Series			V			49+50	2										
DG-ea100 DG-ea200 DG-ea300				V		500+10	1		V						V	V	
DG-160				V		1000+10	2				V				V		
DG-175				V		1000	1				V				V		
DG-300 Series				V		1000+10	2				V				V	V	
DG-600-E				V		600	1								V		
DG-800				V		1000+10	2				V				V		
DG-900 Series				V		1000+10	2									V	
EASIPROX					V	2000	1								V		
EASIPROX-ANSI					V	2000	1								V		
EASIPROX-980-40					V	2000	1								V		
DG-2000/2100 Series				V		2000+200	1		V					V	V	V	V
ST-630E				V		1000	1		V					V	V		V
GEMPROX-630EM					V	N/A	N/A								V		
GEMPROX-630EM-KP					V	N/A	N/A								V		
NW-100						38000	1		V					V			V
NW-200						19000	2		V					V			V
MCT-8960						500+100	1		V								V

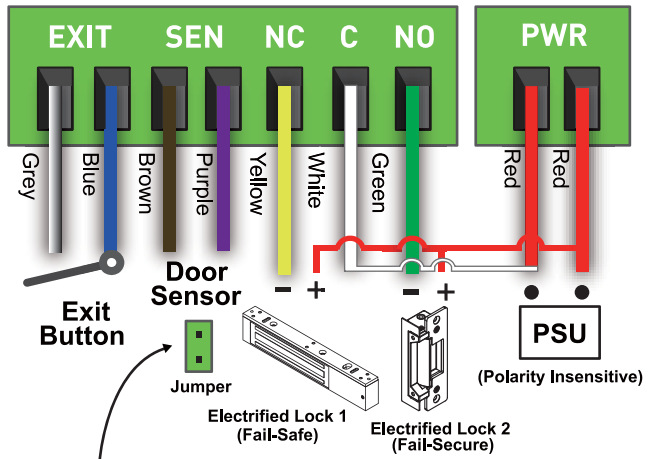
E-ACCESS[®] E1196 Bluetooth Readers



A proximity reader that connects with any bluetooth smart phone for easy and quick access anywhere.



24 VDC (Max.)
Power In



Jumper, to disable door sensor input (Factory Default)

Standard Features

- 1 Master, 196 Users.
- Surface mounted and anti-tailgate protected.
- E-Access E1196 app allows Master to grant/disable access and manage user data.
- Buzzer: Ideal to warn of prolonged door open. 85dBA.
- Bi-stable Relay:
When you select to enable Bi-stable function, you can press down the E button for few seconds to activate and keeps the door unlocked indefinitely.
- E-Access device can be operated with magnetic door locks, strikes, exit buttons, door sensors, power supplies, etc.

Specifications

Power In	12 to 24 VDC, 50mA, 1W
Bluetooth Spec	Bluetooth low energy 4.0 standard
Operating Distance	50 meters
Proximity Distance	50 meters (Configurable, for hands-free operation)
Relay Current	5A max
Operating Temperature	+14° to 104°F (-10° to + 40 °C)
LED Status Indicator	Blue: Bluetooth is active Green: Unlocked status Red: Power reset (Master's Administrator)
Dimensions	4-1/2" x 2-3/4" x 1-3/16" (114 x 69.5 x 30 mm)

E-Access[®] Bluetooth Readers

Model	Descriptions
E1196	Bluetooth reader, Surface mounted, Black/White color available

How Does E-Access Work?

- ✓ E-Access allows users to unlock any door with a smartphone via bluetooth technology. E-Access E1196 app is a smart app, not only you can quickly control access, but also you can grant/disable access and manage users in a very quick and simple way.

Can I Use E-Access with My Existing Cell Phone?

- ✓ **YES:** As long as an existing cell phone is a Bluetooth smart phone it can be used for E-Access. You may even unlock the door while on a phone call.

How Can I Get E-Access APP on My Cell Phone?

- ✓ Download "E-Access E1196" App through Apple Store or Google Play.

Standalone Fingerprint Keypad System DG-ea400



Access Controls

Standard Features

- Slim and narrow surface mounted
- 100 Fingerprints capability
- 100 users, 1 to 6 digit PIN codes
- Keypad tamper lockout
- Red, green and yellow LED for status and programming feedback
- Configurable audible annunciator: Keypad Entry, Tamper Lockout, Keypad Active
- Fail-secure or Fail-safe capable
- Request to Exit input, Alarm output

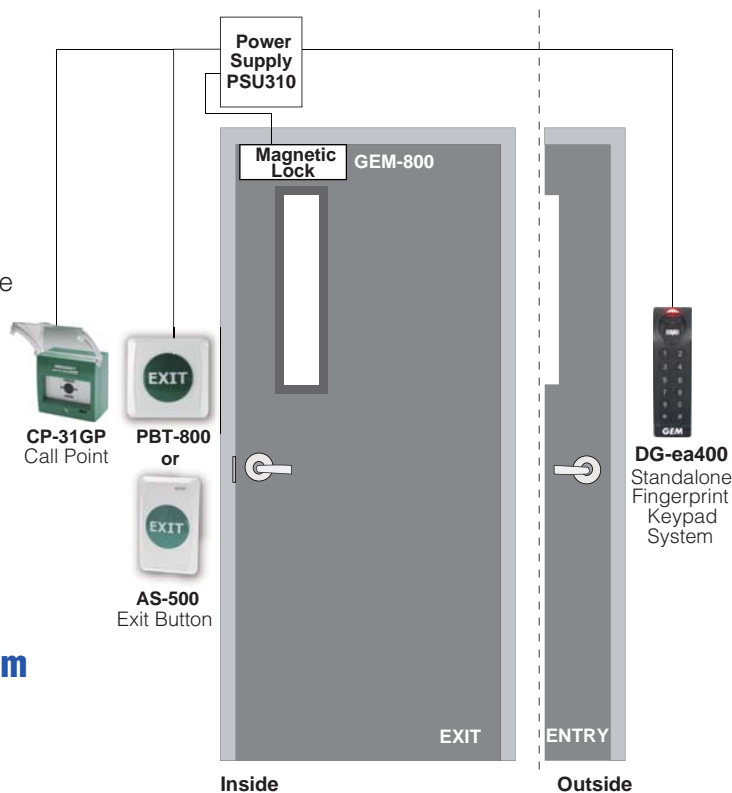
PROX Only

3 User Modes:

- Fingerprint or PIN
- Fingerprint Only
- PIN Only

Standalone Fingerprint Keypad System

Model	Descriptions
DG-ea400	Fingerprint and PIN code entry



Specifications

Voltage	Current	Alarm Output	Relay	Keypad Output	Wiring	Temperature	Humidity	Color	Dimensions
12~24VAC/DC @2A	Up to 80 mA	5VDC @ 25mA	12VDC @ 2A	32-bit Wiegand	Pigtail	14°F~149°F (-10°C to +65°C)	0% to 95% Non-condensing	Black	44 W x 150 H x 36 D mm

Digital Keypad System

Standalone DG Series

DG-185/187/195



High sensitive, piezoelectric keys are still operable even when wearing gloves



Controller separate from keypad for added security



DG-185/187



DG-195



Backlit, touch panel keypad for better visibility and operation in the dark



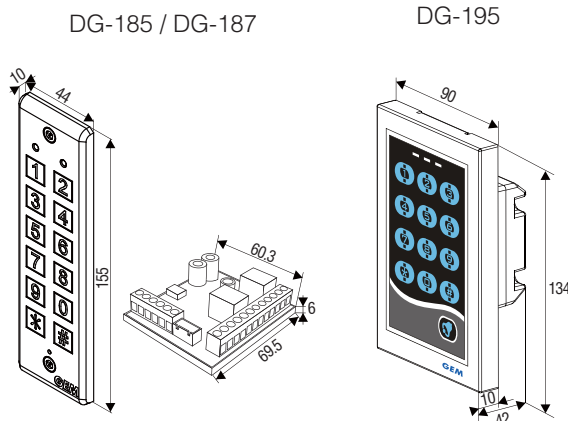
Includes an auxiliary output to door bell

Standard Features

- LED indicators and built-in buzzer for status programming feedback
- Request to exit input
- Built-in tamper sensor/switch
- Keypad tamper lockout

Models	Description	Keypad	Voltage	Users	PIN code Length	Inputs	Outputs	Maximum PIN Code Length to Avoid Spying	Keypad Housing	Mount
DG-185	All-in-one standalone keypad and controller	Piezo	12 to 24 VDC	1000 +10	4 to 6 digit	2 REX inputs, 1 Door sensor input	2 Relays	—	Aluminum alloy	Surface
DG-187	Split keypad and controller system	Piezo	12 to 24 VDC	1000 +10	4 to 6 digit	2 REX inputs, 1 Door sensor input	2 Relays	—	Aluminum alloy	Surface
DG-195	Touch Panel keypad	Touch sensitive panel	12 to 24 VAC/DC	99	4 to 8 digit	1 REX input	1 Relay, 1 Auxiliary output to alarm system	20 digit	Stainless steel frame	Mortise

Dimensions



All dimensions in mm

Mortise Mount Installation for DG-195



Digital Keypad System

Standalone DG Series

DG-15LD/25LD/35LD



DG-15LD



DG-25LD



DG-35LD

Controller separate from keypad for added security



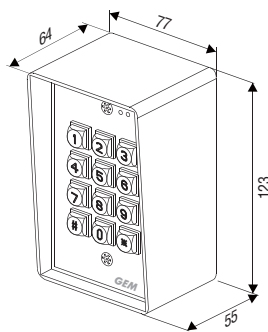
Standard Features

- Backlit keypads for better visibility and operation
- LED indicators and built-in buzzer for status programming feedback
- Surface mounted
- Keypad tamper lockout

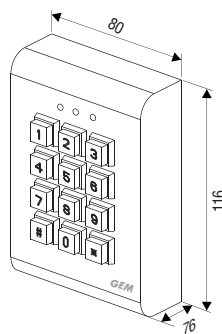
Models	Description	Voltage	Users	PIN Code Length	Inputs	Outputs	Keypad Housing
DG-15LD	All-in-one standalone keypad and controller	12 to 24 VDC	20+1	4 or 5 digit	REX input and door sensor input	2 Relays	Aluminum alloy
DG-25LD	All-in-one standalone keypad and controller	12 to 24 VDC	49+50	5 digit	REX input and door sensor input	2 Relays	Stainless steel
DG-35LD	Split keypad and controller system	12 VDC	200	4 or 5 digit	Tamper alarm input	1 Relay	Stainless steel

Dimensions

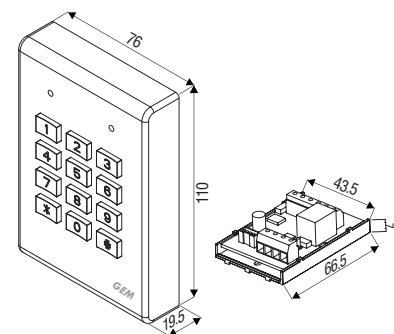
DG-15LD



DG-25LD



DG-35LD



All dimensions in mm

Digital Keypad System

Standalone DG Series

DG-101/200



DG-101



DG-200

Metal case with key lock design for easy maintenance. Rugged construction with stainless steel faceplate to withstand harsh weather elements.

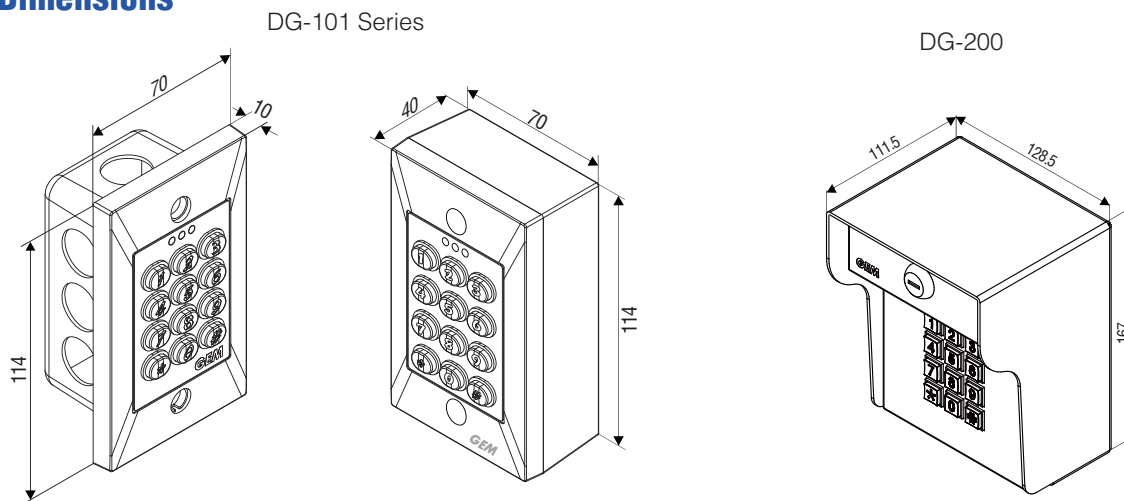


Standard Features

- Red, yellow, green LED indicators and built-in buzzer for status programming feedback
- Door sensor input for anti-tailgating operation to ensure higher security access control
- Built-in tamper switch /sensor
- Keypad tamper lockout
- Request to exit input

Models	Description	Voltage	Users	PIN Code Length	Outputs	Maximum PIN Code Length to Avoid Spying	Keypad Housing
DG-101	Surface/ Mortise mount	12 to 24 VDC	49 +50	5 digit	1 Relay	—	Plastic ABS
DG-200	Surface mount, Backlit keys, Heavy duty outdoor use	12 to 24 VDC	200 + 10	4 or 5 digit	2 Relays	20 digit	Metal

Dimensions



The DG-101 series mounts to an ANSI size recessed outlet box or can be surface mounted.

All dimensions in mm

Proximity Keypad System

Standalone Easy Version

DG-ea100/200/300



DG-ea100



DG-ea200



DG-ea300

Standard Features

- EM and Mifare technologies
- 500 cards capability
- 100 users, 1~6 digit PIN codes
- Keypad tamper lockout
- Red, green and yellow LED for status and programming feedback
- Configurable audible annunciator: Keypad Entry, Tamper Lockout, Keypad Active
- Fail-secure or Fail-safe capable
- Request to Exit input, Alarm output

PROX Only

- 3 User Modes:
- PIN or Card
 - Card Only
 - Card and PIN

Specifications

Voltage	Current	Alarm Output	Relay	Keypad Output	Wiring	Temperature	Humidity	Color
12 to 24 VDC/AC @2A DC	Up to 80 mA	5VDC @ 25mA	12VDC @ 2A	32bit Wiegand	6" Pigtail	14°F~149°F (-10°C~+65°C)	0% to 95% non-condensing	Black

DG-ea100/200/300

Models	Descriptions
DG-ea100	ANSI size, Easy version, standalone PROX keypad and controller, EM+Mifare, 80Wx115Hx20D mm
DG-ea200	European size, Easy version, standalone PROX keypad and controller, EM+Mifare, 86Wx86Hx20D mm
DG-ea300	Slim / Narrow size, Easy version, standalone PROX keypad and controller, EM+Mifare, 140Wx45Hx20D mm

Proximity Keypad System

Standalone DG Series

DG-300/600/800/900



DG-300



DG-600-E



DG-800



DG-900 Series

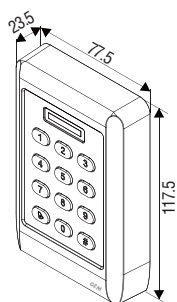
Standard Features

- 3 Access modes: Card only, User Code and Card or User Code only
- LED indicators and built-in buzzer for status programming feedback
- Door sensor input for anti-tailgating operation to ensure higher security access control
- Dual relays to control door lock and other security devices
- 2 Request to exit inputs (DG-600-E also comes with an auxiliary reader input)
- Keypad tamper lockout

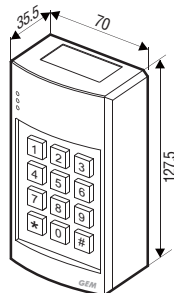
Models	Description	Voltage	Prox Cards/Tokens	PIN code Length	Tamper Sensor	Reader Frequency	Reader Range	Reader Housing
DG-300EM DG-300MF	Proximity reader with backlit keypad	12 to 24 VAC/DC	1000 + 10	4 digit	—	125KHz, 13.56MHz	10 cm	Plastic ABS
DG-600-E	Proximity reader with 26-bit or 44-bit Wiegand output	8.5 to 16 VDC	600	5 digit	Yes	125 KHz	10 cm	Plastic ABS
DG-800	Proximity reader with backlit keypad	12 to 24 VAC/DC	1000 + 10	4 digit	—	125 KHz	5 cm	Aluminum alloy
DG-900-BA DG-900-WI	Mifare/FeliCa compatible reader	12 VDC	1000 +10	5 digit	—	13.56MHz	5 to 7 cm	Plastic ABS

Standalone DG Series Dimensions

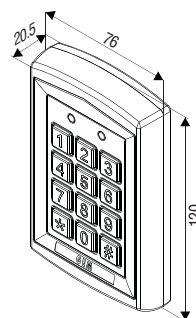
DG-300 Series



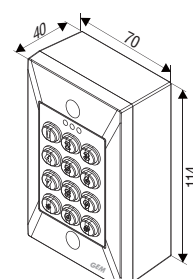
DG-600-E



DG-800



DG-900 Series



All dimensions in mm

Proximity Keypad System

Standalone DG Series

DG-160

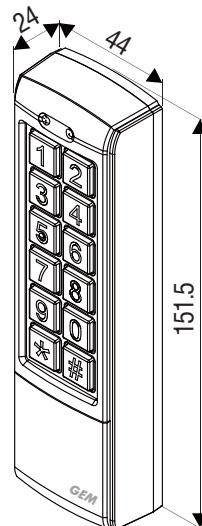


Standard Features

- 3 Access modes: Card only, User Code and Card or User Code only
- LED indicators and built-in buzzer for status programming feedback
- Keypad tamper lockout
- Built-in tamper switch/sensor
- Backlit keys for better visibility and operation

Models	Description	Voltage	Users	PIN code Length	Inputs	Outputs	Reader Frequency	Reader Range	Reader Housing
DG-160	Proximity reader with backlit keypad	12 to 24 VAC/DC	1000 +10	4 digit	2 REX inputs, 1 Door sensor input	2 Relays	125KHZ	5 cm	Aluminum alloy

Standalone DG Series Dimensions



All dimensions in mm

Proximity Readers Standalone **EASIPROX Series**



EASIPROX
European size, Black



EASIPROX-ANSI
ANSI size, Black/White



EASIPROX-980-40
ANSI size, Black

Standard Features

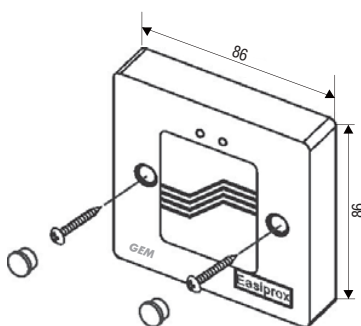
- 2000 Proximity cards/Tokens
- LED indicators for status and programming feedback
- Fail-secure or fail-safe capable
- Non-volatile memory protect information In case of power failure
- Request to Exit input

Specifications

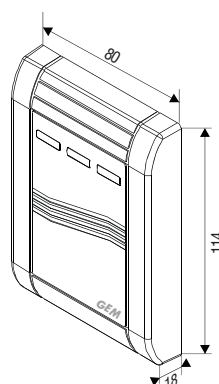
Voltage	12VDC
Reader Output	NC/COM/NC, Max. 5A/250 VAC
Read Range	10 to 15 cm
Reader Frequency	125KHz
Temperature	-20°C~70°C
Humidity	5%~95% (Non-condensing)
Reader Housing	Plastic ABS

Standalone EASIPROX Series Dimensions

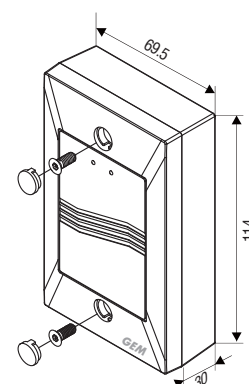
EASIPROX



EASIPROX-980-40



EASIPROX-ANSI



All dimensions in mm

Online Networked System / Standalone

DG-2000/2100 Series



DG-2100EU



DG-2000US



Standard Features

- EM+Mifare, EM or Mifare technologies
- 2000 cards capability
- 200 users, 1 to 6 digit PIN codes
- Keypad tamper lockout
- Red, green and yellow LED for status and programming feedback
- Configurable audible annunciator: Keypad Entry, Tamper Lockout, Keypad Active
- Additional input for anti-tailgating function to ensure high security control
- Fail-secure or Fail-safe capable
- Request to Exit input, Alarm output
- 3 operation functions
- Manager System software included
- Optional PROX keypads and readers

Specifications

Voltage	12 to 16 VDC
Current	Up to 80 mA
Alarm Output	5VDC @ 25mADC
Relay	12VDC @ 2ADC
Keypad Output	32-bit Wiegand
Wiring	Terminal Block
Temperature	-10°C to +65°C (14°F to 149°F)
Humidity	0% to 95% Non-condensing
Color	Black
Dimensions	DG-2000US Series (80W x 115H x 20D mm) DG-2100EU Series (86W x 86H x 20D mm)

PROX Only

- 3 User Modes:
- PIN or Card
 - Card Only
 - Card and PIN

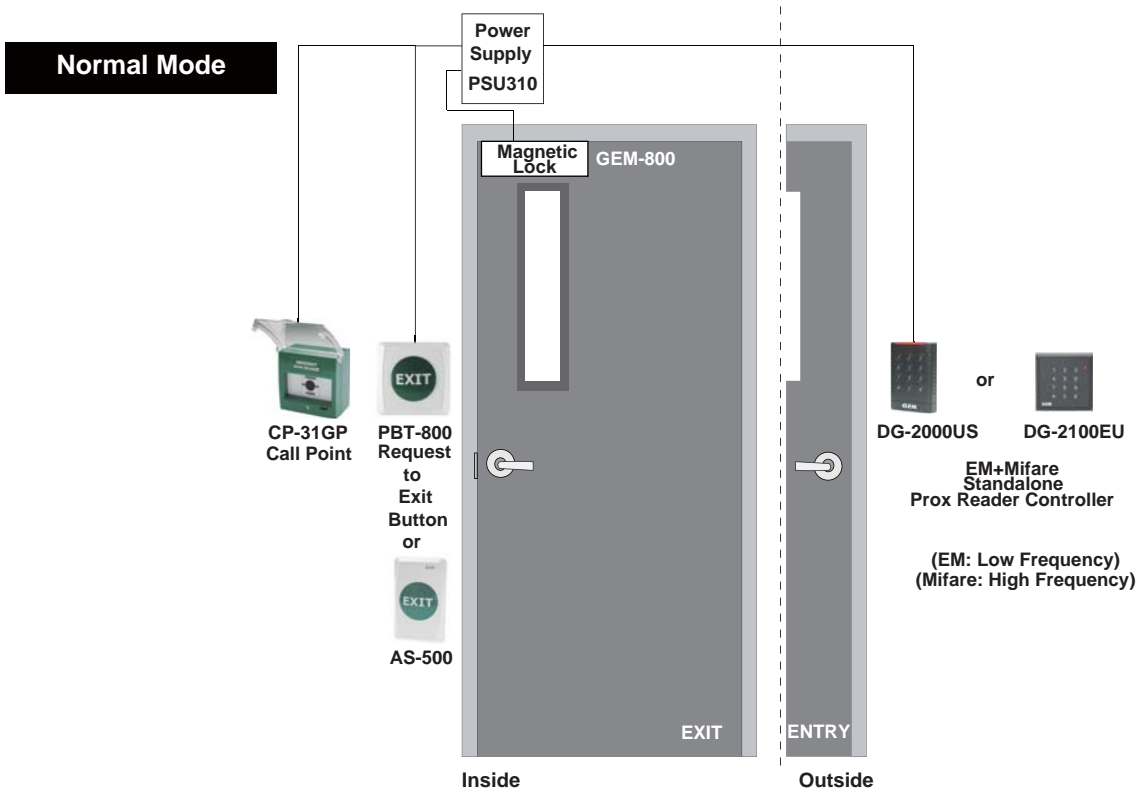
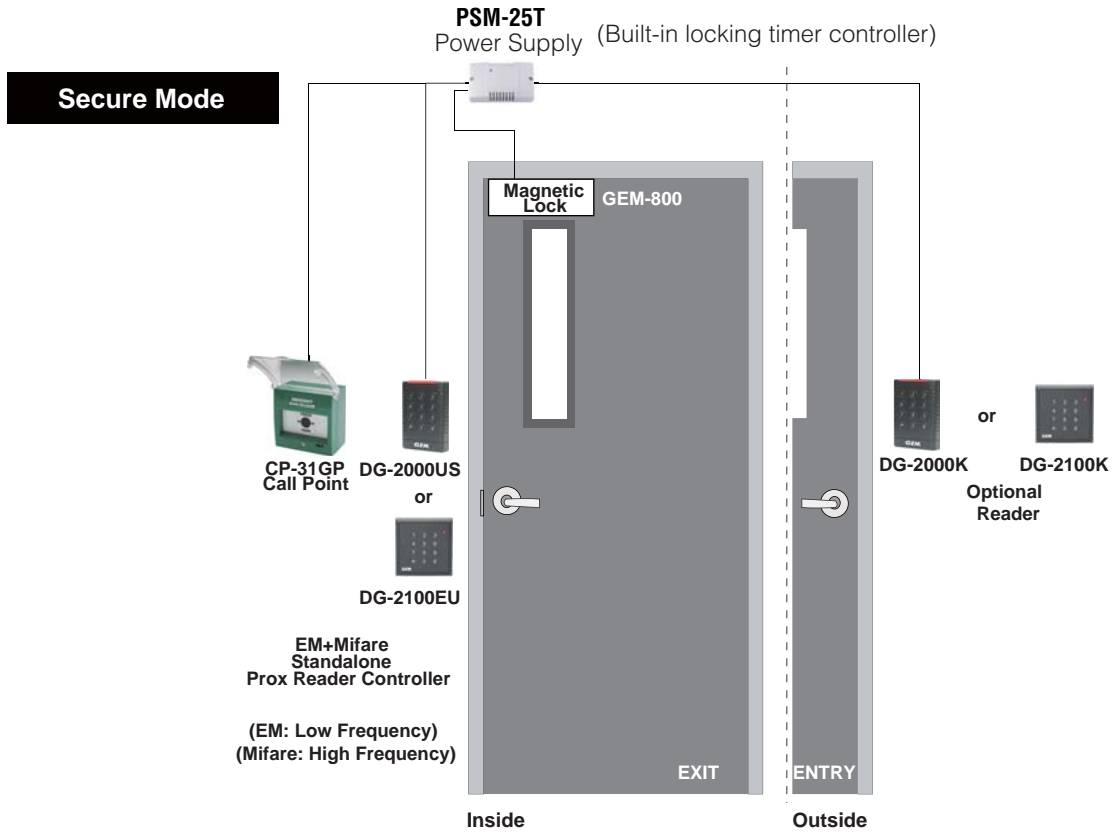
DG-2000/2100 Series Online Networked System/Standalone

Models	Descriptions
Standalone /Online PROX Keypad and Controller	
DG-2000US	ANSI size all-in-one standalone / online PROX keypad and controller EM+Mifare
DG-2100EU	European size all-in-one standalone / online PROX keypad and controller EM+Mifare
Optional PROX Keypads and Readers	
DG-2000K	ANSI size, PROX keypad EM+Mifare
DG-2000KEM	ANSI size, PROX keypad EM 125KHz
DG-2000KMF	ANSI size, PROX keypad Mifare 13.56MHz
DG-2000R	ANSI size, PROX reader EM+Mifare
DG-2000REM	ANSI size, PROX reader EM125KHz
DG-2000RMF	ANSI size, PROX reader Mifare 13.56MHz
DG-2000SK	Slim/ Narrow size, PROX keypad EM+mifare, 45x140x20mm
DG-2000SKEM	Slim/ Narrow size, PROX keypad EM125KHz, 45x140x20mm
DG-2000SKMF	Slim/ Narrow size, PROX keypad Mifare 13.56MHz, 45x140x20mm
DG-2000SR	Slim/ Narrow size, PROX keypad EM+mifare, 40x100x20mm
DG-2000SREM	Slim/ Narrow size, PROX keypad EM12KHz, 40x100x20mm
DG-2000SRMF	Slim/ Narrow size, PROX keypad Mifare 13.56MHz, 40x100x20mm
DG-2100K	European size, PROX keypad EM+Mifare
DG-2100KEM	European size, PROX keypad EM125KHz
DG-2100KMF	European size, PROX keypad Mifare 13.56MHz
DG-2100R	European size, PROX keypad EM+Mifare
DG-2100REM	European size, PROX keypad EM125KHz
DG-2100RMF	European size, PROX keypad Mifare 13.56MHz
Software	
DG-2000 Manager System	Software for DG-2000 online networked system

Optional PROX Keypads and Readers

DG-2000R DG-2000REM DG-2000RMF	DG-2000K DG-2000KEM DG-2000KMF	DG-2000SR DG-2000SREM DG-2000SRMF	DG-2000SK DG-2000SKEM DG-2000SKMF	DG-2100R DG-2100REM DG-2100RMF	DG-2100K DG-2000KEM DG-2000KMF
					

Two Technology In One Keypad Controller



Online Networked System / Standalone **ST-630E**



ST-630E

Standalone/Online
PROX keypad and controller



485-T0-USB

Optional
Converters to computer



485-T0-TCP/IP

Optional
Converters to computer



GEMPROX-630EM

GEMPROX-630EM-KP

Optional
PROX keypad or reader



Standard Features

- 1000 users, 4 digit PIN codes
- Red, green and yellow LEDs for status and programming feedback
- Configurable audible annunciation: Keypad Entry, Door Ajar, Tamper Lockout, Keypad Active, Forced Entry
- Fail-secure or Fail-safe capable
- Request to Exit input and door sensor input, Alarm output
- For use with software to connect up to 254 controllers
- Optional converters

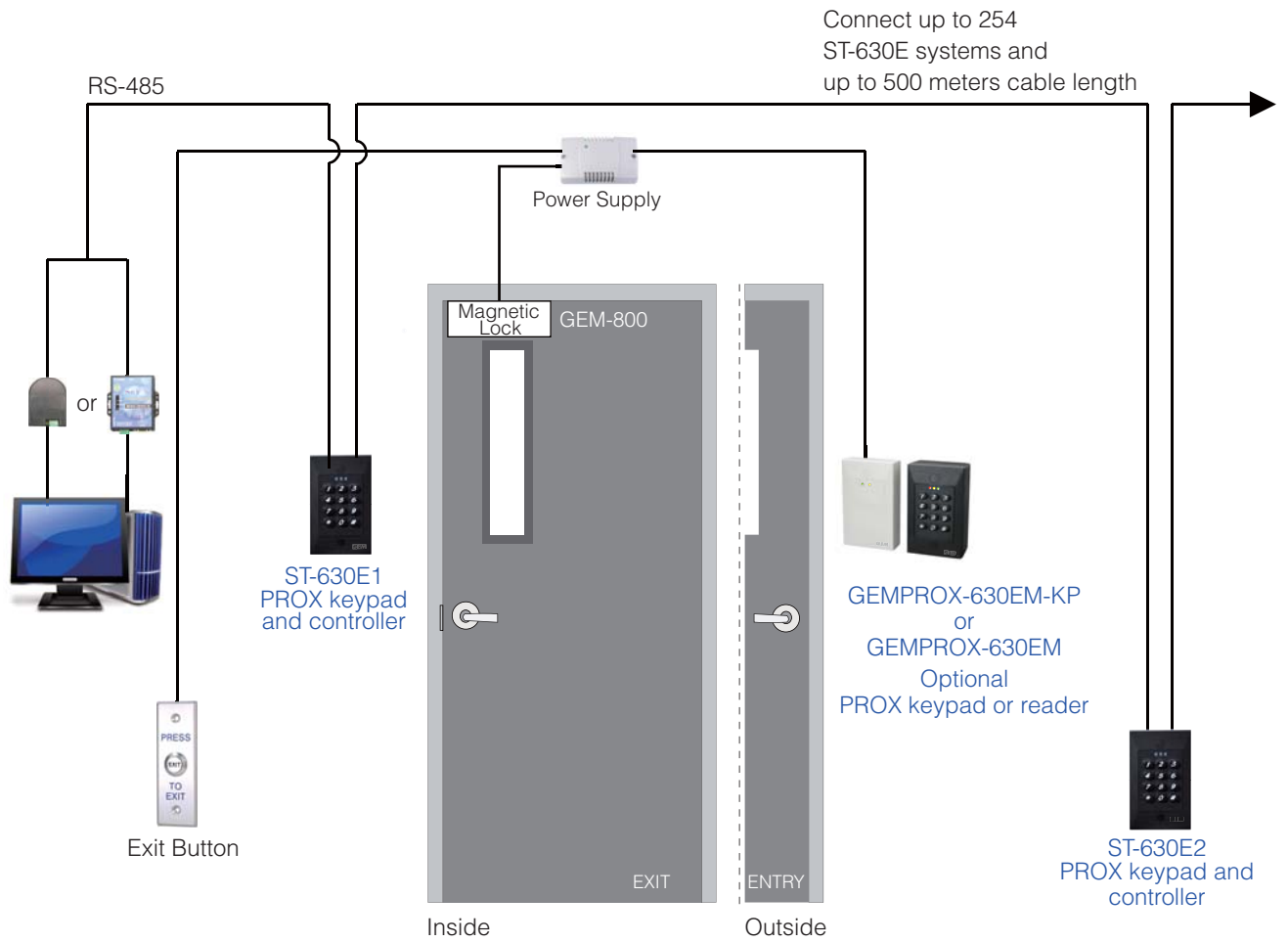
Specifications

Voltage	12 VDC
Keypad Output	26-bit/34-bit Wiegand
Read Range	10 to 15 cm
Temperature	23°F to 140°F (-5°C~+60°C)
Humidity	5% to 95% Non-condensing
Color	Black/White
Dimensions	2 3/4" x 4 1/2" x 3/8" 69.5Wx114Hx10D mm
Interface	RS485 converter

Models	Descriptions
ST-630E	ANSI size All-in-one Standalone/Online PROX keypad and controller, EM 125KHz, Black/White
GEMPROX-630EM-KP	ANSI size optional PROX keypad, EM 125KHz, Black/White color available
GEMPROX-630EM	ANSI size optional PROX reader, EM 125KHz, Black/White color available
GEMPROX-26M	Slim/Narrow size optional PROX reader, Mifare 13.56MHz, Black/White color available
GEMPROX-E	Slim/Narrow size optional PROX reader, EM 125KHz, Black/White color available
714-60	Slim/Narrow size optional PROX reader, Mifare 13.56MHz, Black color
485-T0-USB	RS485 optional converter to computer USB port
485-T0-TCP/IP	RS485 optional converter to computer TCP/IP port
SMB-101	ANSI size optional plastic ABS back box, Black/White color available

Online Networked System / Standalone

ST-630E



Online Networked System

NW-100/NW-200 Controllers

Single Door or Two-Door System

Standard Features

- Flexible structure cabling CAT5 LAN cable to connect between controllers and computer
- Fail-secure or Fail-safe capable
- Request to Exit input and door sensor input, Alarm Output
- Includes program software installed on Windows PC
- Full reporting facility, backup, restore data all in the system

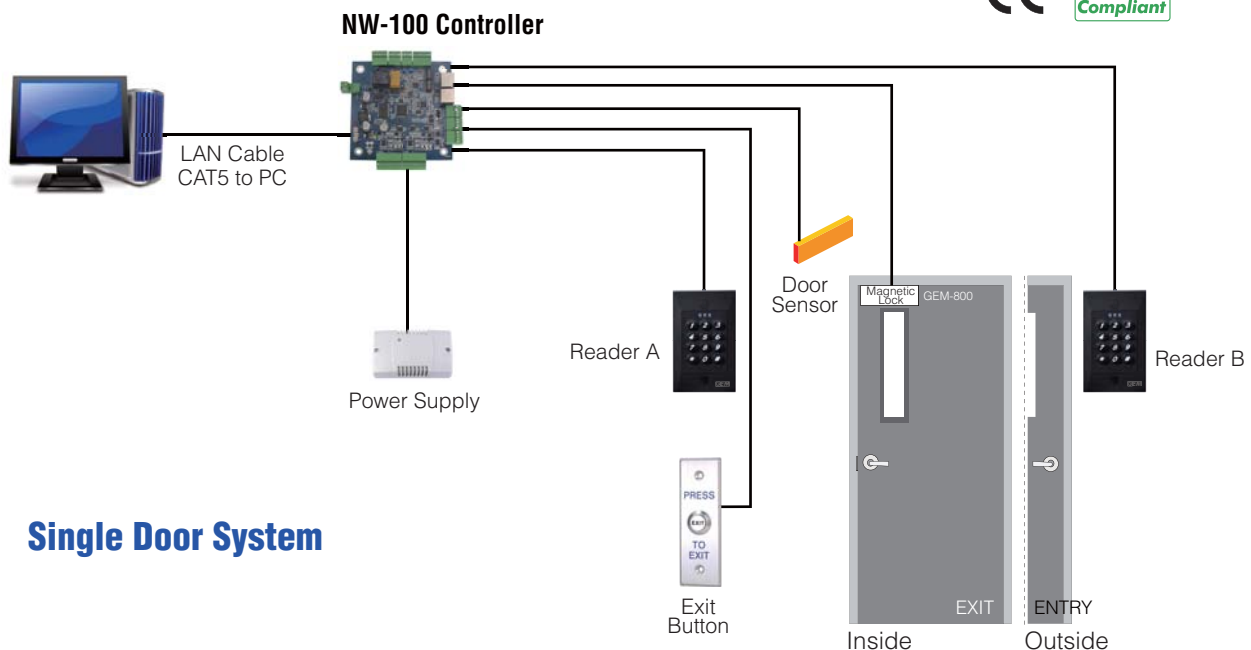
Models	Descriptions
NW-100	Single door controller, 38,000 users, 800 events record, 120 W x 120 H x 12 D mm
NW-200	19,000 Users, 200 events, Two-door controller, 120 W x 180 H x 12 D mm
NW-110	Single door controller in metal case, and a power supply (PSM-13803), 288 W x 337 H x 80 D mm
NW-150	Single door controller box, 124 W x 150 H x 30 D mm
NW-210	Two-door controller in metal case, and a power supply (PSM-13803), 288 W x 337 H x 80 D mm
NW-250	Two-door controller box, 150 W x 182 H x 30 D mm
GEM Access Control System	Software for NW-100, NW-200 Online networked system



NW-100

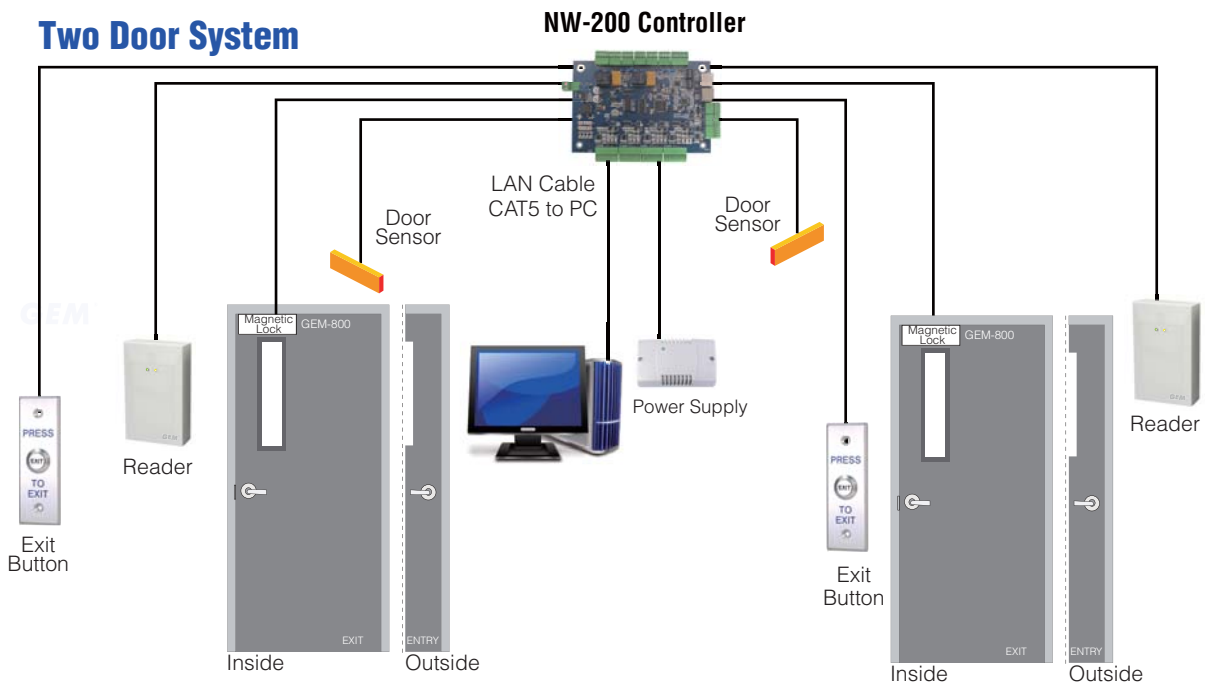


NW-200

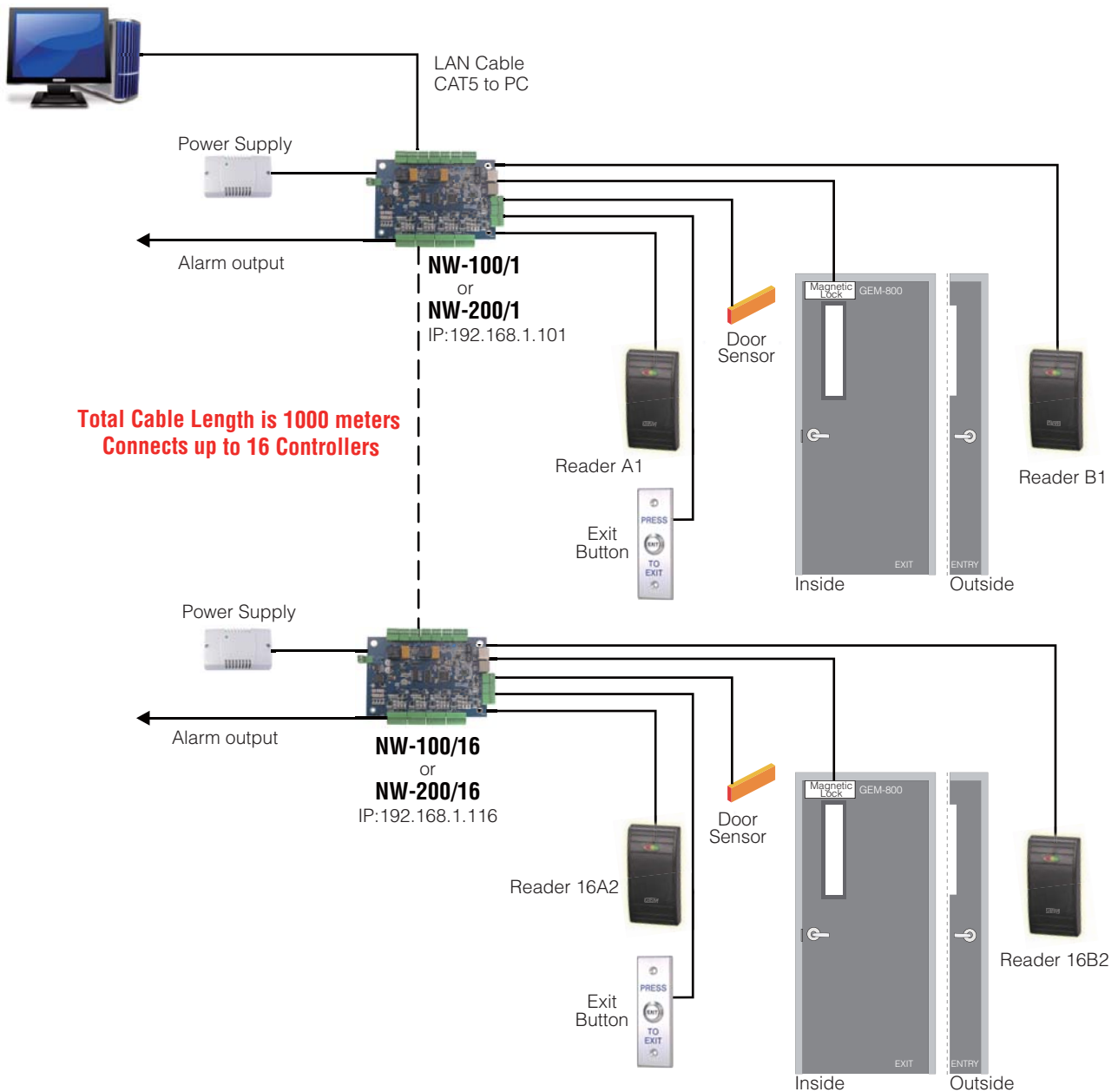


Single Door System

Two Door System



Multi-Controllers System



Mini Access Controls

MCT-8960

Mini Access Controller



Standard Features

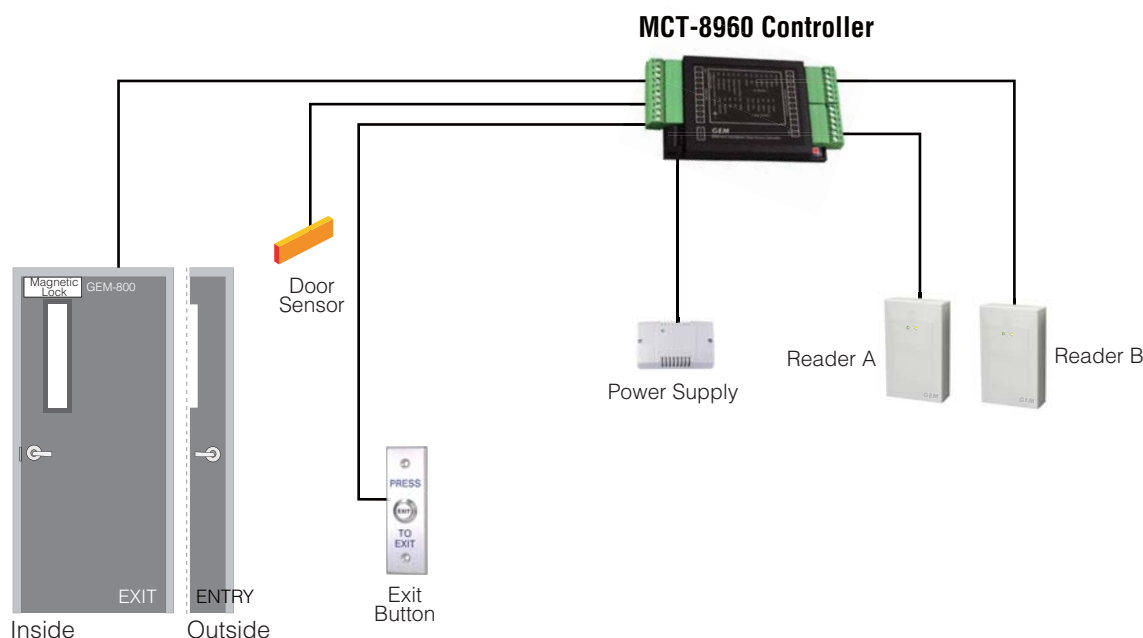
- 500 cards capability
- 100 users, 1 to 6 digit PIN codes
- Configurable audible annunciation: Keypad Entry, Tamper Lockout, Keypad Active
- Fail-secure or Fail-safe capable
- Request to Exit input, Alarm output
- Keypad tamper lockout
- Supports any brands of keypad or readers

Specifications

Voltage	12 to 24 VDC/AC
Current	100mA
Keypad Output	32-bit Wiegand
Temperature	14°F to 149°F (-10°C to +65°C)
Humidity	0% to 95% Non-condensing
Dimensions	54 W x 86 H x 12 D mm

Mini Access Controls

Model	Description
MCT-8960	Mini access controller



Proximity Cards & Key Tags

Optional Accessories



Models	Descriptions
CCTR-INLAY-22 CCTR-INLAY-29	Card, 125 KHz, 0.86 mm thickness, ø22 mm, 29 mm
CCTR00-KEYPROX	Card, ABA 6H / 8D, 125 KHz, 0.8 mm thickness
CCTR00-CHN105	Card, ABA 8H / 10D, 125 KHz, 1.05 mm thickness
CCTR00-CHN105LD	Card, ABA 8H / 10D, 125 KHz, 1.05 mm thickness
CCTR00-OF-105	Card, ABA 6H / 7D, 125 KHz, 1.05 mm thickness
CCTR00-CNPSLD	Card, ABA 8H / 10D, 125 KHz, 1.05 mm thickness
KT-12-BT	Key tag, ABA 8H / 8D, 125 KHz
KT-13-BL KT-13-RE	Key tag, ABA 8H / 10D, 125 KHz
KT-15EM	Key tag, ABA 8H / 10D, 125 KHz
KT-16-EM-BL KT-16-EM-RE	Key tag, ABA 8H / 10D, 125 KHz
KT-17-BL-Keyprox KT-17-RE-Keyprox	Key tag, ABA 6H / 8D, 125 KHz
KT-21R KT-21B	Leather key tag, 125 KHz
KT-22R KT-22B	Leather key tag, 125 KHz
KT-23BA	Key tag, ABA 8H / 10D, 125 KHz
CCTR00-MF-086	Card, 13.56 MHz, 0.86 mm thickness
CCTR-MF-MUL-086	Card, ABA 8H / 10D, 13.56 MHz, 0.75 mm thickness
CCTR00-EM-MF-1.05	Card, ABA 8H / 10D, 13.56 MHz / 125 KHz, 1.05 mm thickness
CMS-14	Card, ABA 8H / 10D, 13.56 MHz / 125 KHz, 1.8 mm thickness, mate

Power Supplies



PSU510



PSB3A



PSU18



PSU310



PSM-25T/26T

Selector Chart

	Linear Power Supply	Switching Power Supply	Electrical Protection	Filtered & Regulated DC Output	Tamper Switch	Toroidal Transformer	Adjustable Timer	LED Indicator	Plug-in Power Supply
PSB Series	V		V	V	V	V		V	
PSU Series	V		V	V			V	V	
PSM Series		V	V	V			V		V

Power Supplies

PSB/PSU Series

Safe, Secure, and Reliable



PSU320



The GEM family of PSB/PSU series linear power supplies is specifically designed to support electrified locks and access control systems. The PSB series is equipped with a toroidal transformer that features low operating temperature and high electrical efficiency.

The PSU200 is recommended for use with a wide range of access control devices. The PSU310/320/510 series is a multi-functional controller ideal for use where an interface with a fire alarm system is needed. The PSU510 series also complies with EN60950-1 and is certified with CE, EMC, LVD, and FCC standards.

Standard Features

- Filtered & regulated DC output
- Sealed lead acid-gel battery charging capability (Battery is not included)
- LED indicators (For AC/DC/Power/Battery status)

Other Features

- Built-in tamper switch (For PSB series)
- Toroidal transformer (For PSU-2A12V-230, PSB Series)
- Red flashing light & buzzer alarm (For PSU310/320 series)
- Field selectable 12 or 24 VDC (For PSU510 series)
- Adjustable timer (For PSU200/510 series)
- Emergency override input (For PSU310/320/510 series)

Protection

- Low battery voltage protection (For PSB series, PSU2A-12V-230)
- DC short circuit protection
- Reverse battery protection
- AC & DC overcurrent protection
- DC thermal overload protection

Patents, Approvals, and Listings


- UL listed: E229191 (For PSU100-UL)
- CE-LVD: L3D1420L636 (For PSU510)
- CE-EMC/FCC: EC3D1420 (For PSU510)

PSB Series Power Supplies






Models	Input Voltage (VAC)	Output Voltage (VDC)	Contact Ports	Status LED	Tamper Switch	Toroidal Transformer	Dimensions
PSB3A-230-12N PSB3A-230-24N	220-240	3A/13.8 3A/27.6	3	AC,DC voltage and battery status	●	●	12 5/8" x 12 13/16" x 3 1/2" (320 x 325 x 89.5mm)
PSB5A-230-12N PSB5A-230-24N	220-240	5A/13.8 5A/27.6	5	AC,DC voltage and battery status	●	●	12 5/8" x 12 13/16" x 3 1/2" (320 x 325 x 89.5mm)

Note: All above models are available by special order on 110-120VAC operation.

PSU Series Power Supplies

Models	Input Voltage (VAC)	Output Voltage (VDC)	Status LED	Emergency Override Input	Dimensions	Special Features
Linear Power Supplies						
PSU-2A12V-230	230	2A/13.8 (24W)	Power status	—	12 3/16" x 8 15/16" x 3 3/8" (310 x 227 x 86mm)	Toroidal Transformer
PSU100-UL 	110	2A/13.4 (24W)	—	—	8 1/4 " x 8 11/16" x 3 1/8" (210 x 220 x 80mm)	—
PSU200	120 230	2A/13.8 (24W)	—	—	12 3/16" x 8 15/16" x 3 3/8" (310 x 227 x 86mm)	Adjustable timer
PSU310	110 230	2A/13.8 (24W)	DC voltage and battery status	●	12 3/16" x 8 15/16" x 3 3/8" (310 x 227 x 86mm)	Built-in Red flashing light and alarm
PSU510	110 230	3A/13.8 (36W) 2A/27.6 (48W)	DC voltage and battery status	●	13" x 13" x 3 3/8" (330 x 330 x 86mm)	Field selectable 12 or 24VDC
Switching Power Supplies						
PSU18-12TB PSU18-24TB	100~240VAC 50/60Hz	1A/12VDC 0.5A/24VDC	Power status	—	2 3/16" x 1 7/8" x 1 9/16" (55 x 48 x 40mm)	Mini power supply
PSU320	100-240V 50/60 Hz	3A/13.8 (36W)	AC, DC voltage and battery status	●	12 5/8" x 10 5/16" x 3 9/16" (321 x 277 x 90mm)	Red flashing light and alarm

Optional PSB & PSU Series Accessories

PSU320/510 Series		PSU510 Series	PSB5A-230 Series
			
PSU 510-02 Power Supply Module	PSU510-03 Power Supply Module	PSU510-04 Board Stacker for Power Supply Modules	S-SI-PSU-510 Toggle Switch
<ul style="list-style-type: none"> Green status LED on board For 12 VDC output Adjustable timer from 0 to 65 seconds 	<ul style="list-style-type: none"> Red status LED on board For 24 VDC output Adjustable timer from 0 to 65 seconds 	Board stacker for PSU510 -01, 02, 03 modules	<ul style="list-style-type: none"> Main power switch
			
			GPD-3015-PLUS Power Distribution Board
			<ul style="list-style-type: none"> PPTC resettable fuse protection Maximum output rating 1 Amp

Power Supplies

PSM Series

Switching Power Supplies Ensure High Efficiency and Ease of Installation



PSM-25T



PSM-112S



The PSM series DIN-Rail/switching power supplies are compact, lightweight and ideal for use with a wide range of access control devices including electrified locks, door closers, electric strikes, electromagnetic locks, or keypad readers. These products support single and multi-door configurations as well as entire building systems.

Standard Features

- Compact, high efficiency
- Ideal for use with a wide range access of control devices

Other Features

- Adjustable timer (For PSM-01T-4-AC230V, PSM-10T/25T/26T)
- You may connect to your request to exit button (REX) for quick egress (For PSM-25T/26T)
- Installation is quick and easy with a PLUG-IN installation (For PSM-26T)
- Switch for Fail-safe or Fail-secure Devices (For PSM-25T/26T)

PSM Series Power Supplies

Models	Input (VAC)	Output1	Output2	Battery Charge	Timer (Sec)	Weight (Kg)	Dimensions
Switching Power Supplies							
PSM-01T-4-AC230V	230	2A/12VDC	0.5A/12VDC	—	0~75	1	6 3/16" x 3 7/8" x 2 11/16" (157.5 x 99 x 68 mm)
PSM-02-AC230V	230	1.5A/12VDC	0.5A/12VAC	—	—	0.95	6 3/16" x 3 7/8" x 2 11/16" (157.5 x 99 x 68 mm)
PSM-10T	100-240V 50/60Hz	0.5A/12VDC	2A/12VDC	—	0~75	0.35	5 1/16" x 2 7/8" x 2" (129 x 73 x 50mm)
PSM-25T	100-240V 50/60Hz	1.5A/12VDC	1A/12VDC	—	0~45	0.22	5 1/16" x 2 7/8" x 2" (129 x 73 x 50mm)
PSM-26T	100-240V 50/60Hz	1.5A/12VDC	1A/12VDC	—	0~45	0.22	5 1/16" x 2 7/8" x 2" (129 x 73 x 50mm)
DIN-Rail Mounted Switching Power Supplies							
PSM-112S	100-240	1A/13.8VDC	—	0.28A/ 14.5VDC	—	0.25	4 13/16" x 3 15/16" x 2 11/16" (122 x 100 x 68mm)
PSM-224S	100-240	2A/27.6VDC	—	0.25A/ 27.6VDC	—	0.34	4 13/16" x 3 15/16" x 2 11/16" (122 x 100 x 68mm)
PSM-312S	100-240	3A/13.8VDC	—	0.28A/ 14.5VDC	—	0.34	4 13/16" x 3 15/16" x 2 11/16" (122x100x68mm)
PSM-512S	100-240	5A/13.8VDC	—	0.28A/ 14.5VDC	—	0.35	4 13/16" x 3 15/16" x 2 11/16" (122 x 100 x 68mm)

The PSM-25T/26T power supplies are field selectable for fail-safe or fail-secure and specially designed with re-locking timers for electrified locks.



PSM-26T

Plug-in Power Supply (Cable included)

Cable Options:

- **P-CB-US-1.8**

US Standard Cable
Cable length: 1.8M

- **P-CB-EU-1.8**

EU Standard Cable
Cable length: 1.8M

- **P-CB-UK-1.8**

UK Standard Cable
Cable length: 1.8M

Exit Buttons & Devices



Selector Chart

	Stainless Steel Faceplate	Plastic Faceplate	Aluminum Faceplate	ANSI Size	European Size	Narrow Stile Size	Piezo-Electric Switch	Momentary	Alternate	SPST	Wireless Transmitter	SPDT	DPDT	LED / Illuminated	Optional Back Box
PPB Push Buttons	✓			✓		✓		✓				✓		✓	
AS Push Buttons		✓	✓	✓				✓	✓	✓		✓	✓	✓	✓
PBT Push Buttons	✓	✓	✓	✓	✓	✓	✓	✓			✓		✓	✓	✓
Dual Exit Units	✓	✓			✓			✓					✓		
Push Plate Exit Buttons	✓							✓			✓		✓		
Touch Sense Exit Buttons	✓	✓						✓						✓	
Wave Sense Infrared Exit Device	✓			✓	✓			✓				✓		✓	✓
Wireless Exit Device	✓			✓	✓			✓			✓			✓	✓

PPB Push Buttons

Illuminated Push Buttons for Various Applications



PPB-103

- Narrow size
- Momentary SPDT, 3A/125 or 250VAC
- Square button
- Illuminated
- Stainless steel faceplate:
4 1/2" x 1 3/4" (115x44mm)

PPB-104

- Narrow size
- Momentary SPDT, 3A/125 or 250VAC
- Round button
- Illuminated
- Stainless steel faceplate:
4 1/2" x 1 3/4" (115x44mm)

PPB-106

- Single gang
- Momentary SPDT, 3A/125 or 250VAC
- Square button
- Illuminated
- Stainless steel faceplate:
4 1/2" x 2 3/4" (114x70.5mm)

PPB-110

- Single gang
- Momentary SPDT, 0.1A @125/250VAC,
5A @125/250VAC
- Round button
- Illuminated
- Stainless steel faceplate:
4 1/2" x 2 3/4" (114x70.5mm)

ANSI Size

AS Push Buttons

Various Selections and Colors

Standard Features

- Momentary DPDT or SPST contacts
- Plastic(ABS) or Aluminum single gang plate: 4 1/2" x 2 3/4" (114 x 70.5mm)
- Available in LED switches (AS-1151, AS-1152, AS-1153)
- Optional surface mount back box provided



 <p>AS-500</p> <ul style="list-style-type: none"> • Momentary DPDT, 5A/125VAC • Switch colors Blue/Red/White/Green, Plastic faceplate 	 <p>AS-1135</p> <ul style="list-style-type: none"> • Momentary DPDT, 5A/125VAC • Aluminum faceplate 	 <p>AS-1136</p> <ul style="list-style-type: none"> • Momentary DPDT, 5A/125VAC • Aluminum faceplate 	 <p>AS-1137</p> <ul style="list-style-type: none"> • Momentary DPDT, 5A/125VAC • Aluminum faceplate
---	---	--	---

 <p>AS-1138</p> <ul style="list-style-type: none"> • Momentary DPDT, 5A/125VAC • Aluminum faceplate 	 <p>AS-1139</p> <ul style="list-style-type: none"> • Momentary DPDT, 5A/125VAC • Aluminum faceplate 	 <p>AS-1140</p> <ul style="list-style-type: none"> • Momentary DPDT, 5A/125VAC • Aluminum faceplate 	 <p>AS-1141</p> <ul style="list-style-type: none"> • Momentary SPST, 2A/48VDC • Aluminum faceplate
---	---	--	--

 <p>AS-1142</p> <ul style="list-style-type: none"> • Momentary SPST, 5mA/12VDC • Aluminum faceplate 	 <p>AS-1143</p> <ul style="list-style-type: none"> • Momentary SPST, 5mA/12VDC • Aluminum faceplate 	 <p>AS-1144</p> <ul style="list-style-type: none"> • Momentary DPDT, 5mA/12VDC • Aluminum faceplate 	 <p>AS-1145</p> <ul style="list-style-type: none"> • Momentary SPST, 5mA/12VDC • Aluminum faceplate
---	---	--	---

AS Push Buttons (Continued)



AS-1146

- Momentary SPST, 5mA/12VDC
- Aluminum faceplate



AS-1147

- Momentary DPDT, 5A/125VAC
- Aluminum faceplate
- Cables included



AS-1148

- Momentary DPDT, 5A/125VAC
- Aluminum faceplate
- Cables included



AS-1149

- Momentary DPDT, 5A/250VAC
- Aluminum faceplate
- Cables included



AS-1151

- Momentary SPST, 1A/250VAC
- Bi-color LED (Green/Blue), 9-30VDC
- Aluminum faceplate



AS-1152

- Momentary DPDT, 5A/125VAC
- Illuminated
- Aluminum faceplate



AS-1153

- Momentary DPDT, 5A/125VAC
- Aluminum faceplate



AS-1154

- Momentary DPDT, 5A/125VAC
- Aluminum faceplate



AS-1155

- Momentary DPDT, 5A/125VAC
- Aluminum faceplate



AS-1156

- Momentary DPDT, 5A/125VAC
- Aluminum faceplate



AS-1157

- Momentary DPDT, 5A/125VAC
- Aluminum faceplate



AS-1158

- Momentary DPDT, 5A/250VAC
- Aluminum faceplate

Optional Back Box



SMB-050

- Stainless steel, Silver
- 4 9/16" x 2 3/4" x 1 3/4"
(116 x 70 x 45mm)



SMB-101

- Plastic, Black/White
- 4 1/12" x 2 3/4" x 1 3/16"
(114 x 70 x 30mm)

ANSI Size PBT Push Buttons

Various Selections and Colors

Standard Features

- Momentary DPDT or SPST contacts (Maintained switch for PBT-060B-TG)
- Stainless steel single gang plate: 4 1/2" x 2 3/4" (114x70.5mm)
- Available in LED switches & Piezo-electric switches (PBT-110-PTE, PBT-110-E)
- Optional surface mount back box provided



 <p>PBT-020B-2</p> <ul style="list-style-type: none"> • Momentary SPST, 2A/48VDC • Flush 	 <p>PBT-020B-4</p> <ul style="list-style-type: none"> • Momentary DPDT, 5A/125VAC • Flush • Cables included 	 <p>PBT-060B</p> <ul style="list-style-type: none"> • Momentary DPDT, 5A/250VAC • Flush 	 <p>PBT-060B-TG</p> <ul style="list-style-type: none"> • Maintained DPDT, 5A/125VAC • Flush • Cables included • Toggle switch
 <p>PBT-020BJ</p> <ul style="list-style-type: none"> • Momentary SPST, 5mA/12VDC • Flush mounted 	 <p>PBT-160B</p> <ul style="list-style-type: none"> • Momentary DPDT, 5A/125VAC • Flush mounted 	 <p>PBT-180B</p> <ul style="list-style-type: none"> • Momentary DPDT, 5A/125VAC • Flush mounted • Cables included 	 <p>PBT-060BL</p> <ul style="list-style-type: none"> • Momentary DPDT, 5A/250VAC, 6A/24VDC • Flush mounted • Illuminated
 <p>PBT-020B-LED</p> <ul style="list-style-type: none"> • Momentary SPST, 1 A/250VAC • Flush mounted • Bi-color LED (Green/Blue) 	 <p>PBT-110-PTE</p> <ul style="list-style-type: none"> • Piezo-electric, 2A/30VDC • Surface • Bi-color LED (Red/Green) • Time delay 1-30 seconds 	 <p>PBT-110-E</p> <ul style="list-style-type: none"> • Piezo-electric, 2A/30VDC • Surface • Bi-color LED (Red/Green) • Time delay 1-30 seconds 	

Optional Back Box

 <p>SMB-050</p> <ul style="list-style-type: none"> • Stainless steel, Silver • 4 9/16" x 2 3/4" x 1 3/4" (116 x 70 x 45mm) 	 <p>SMB-101</p> <ul style="list-style-type: none"> • Plastic, Black/White • 4 1/12" x 2 3/4" x 1 3/16" (114 x 70 x 30mm) 	 <p>SMB-750</p> <ul style="list-style-type: none"> • Metal, White • 4 1/12" x 2 3/4" x 1 1/4" (114 x 70 x 32mm)
--	--	--

Narrow Size PBT Push Buttons

Various Selections and Colors

Standard Features

- Momentary DPDT, SPDT, SPST contacts
- Stainless steel or aluminum alloy narrow stile plate: 4 1/2" x 1 11/16" (115x43mm)
- Available in LED switches (PBT-010L) & Piezo-electric switches (PBT-120-PTE, PBT-120-E)
- Optional surface mount back box provided



Mortise Mount PBT Push Buttons



PBT-010

- Momentary DPDT, 5A/250VAC, 6A/24VDC
- Stainless steel faceplate



PBT-020-4

- Momentary DPDT, 5A/125 VAC
- Stainless steel faceplate
- Cables included



PBT-025-4

- Momentary DPDT, 5A/125VAC
- Aluminum alloy faceplate
- Cables included



PBT-026-4

- Momentary DPDT, 5A/125VAC
- Aluminum alloy faceplate
- Cables included



PBT-020-2

- Momentary SPST, 2A/48VDC
- Stainless steel faceplate



PBT-200-2

- Momentary SPST, 2A/48VDC
- Stainless steel faceplate



PBT-025J

- Momentary SPST, 5mA/12VDC
- Aluminum alloy faceplate



PBT-026J

- Momentary SPST, 5mA/12VDC
- Aluminum alloy faceplate



PBT-200J

- Momentary SPST, 5mA/12VDC
- Stainless steel faceplate



PBT-010L

- Momentary DPDT, 5A/250VAC, 6A/24VDC
- Stainless steel faceplate
- Illuminated



PBT-020-LED

- Momentary SPDT, 1A/250VAC
- Stainless steel faceplate
- Bi-color LED (Green/Blue)



PBT-200LED

- Momentary SPDT, 1A/250VAC
- Stainless steel faceplate
- Bi-color LED (Green/Blue)

Surface Mount PBT Push Buttons (Continued)



PBT-100-4

- Momentary DPDT, 5A/125VAC
- Stainless steel faceplate & back box



PBT-160

- Momentary DPDT, 5A/125VAC
- Stainless steel faceplate & back box



PBT-025JS

- Momentary SPST, 5mA/12VDC
- Aluminum faceplate, Plastic back box
- Available as a wireless exit device



PBT-080

- Momentary SPST, 2A/48VDC
- Stainless steel faceplate & back box



PBT-030

- Momentary SPDT, 15A/125VAC 15A/250VAC
- Stainless steel faceplate, Plastic back box



PBT-120-PTE

- Piezo-electric, 2A/30VDC
- Stainless steel faceplate, Plastic back box
- Bi-color LED (Red/Green)
- Time delay 1-30 seconds



PBT-120-E

- Piezo-electric, 2A/30VDC
- Stainless steel faceplate, Plastic back box
- Bi-color LED (Red/Green)
- Time delay 1-30 seconds



PBT-100-LED

- Momentary SPST, 1A/250VAC
- Bi-color LED (Green/Blue)
- Stainless steel faceplate & back box

Optional Back Box



SMB-040

- Plastic, Black
- 4 9/16" x 2 3/4" x 1 3/4" (115 x 43 x 32mm)

European Size PBT Push Buttons

Various Selections and Colors

Standard Features

- Momentary DPDT, SPDT, SPST contacts
- Plastic (ABS) or stainless steel faceplate: 85.5 x 85.5mm
- LED switches (PBT-419DR-LED, PBT-419PTE-LED, PBT-090-LED)
- Optional surface mount back box provided



Mortise Mount PBT Push Buttons

 <p>PBT-800</p> <ul style="list-style-type: none"> • Momentary DPDT, 5A/125 VAC • Plastic (ABS) faceplate 	 <p>PBT-210UK</p> <ul style="list-style-type: none"> • Momentary DPDT, 5A/125 or 250VAC • Stainless steel faceplate • Cables included 	 <p>PBT-211UK</p> <ul style="list-style-type: none"> • Momentary DPDT, 5A/125 or 250VAC • Stainless steel faceplate • Cables included 	 <p>PBT-425BS-DR</p> <ul style="list-style-type: none"> • Momentary SPST, 5mA/12VDC • Stainless steel faceplate
 <p>PBT-425BS</p> <ul style="list-style-type: none"> • Momentary SPST, 5mA/12VDC • Stainless steel faceplate 	 <p>PBT-400BS</p> <ul style="list-style-type: none"> • Momentary DPDT, 5A/125 or 250VAC • Stainless steel faceplate 	 <p>PBT-400BS-DR</p> <ul style="list-style-type: none"> • Momentary DPDT, 5A/125 or 250VAC • Stainless steel faceplate 	 <p>PBT-400BS-P</p> <ul style="list-style-type: none"> • Momentary DPDT, 5A/125 or 250VAC • Stainless steel faceplate
 <p>PBT-419BS</p> <ul style="list-style-type: none"> • Momentary SPST, 5mA/12VDC • Stainless steel faceplate 	 <p>PBT-419BS-DR</p> <ul style="list-style-type: none"> • Momentary SPST, 5mA/12VDC • Stainless steel faceplate 	 <p>PBT-430BS-BL</p> <ul style="list-style-type: none"> • Momentary DPDT, 5A/125 or 250VAC • Stainless steel faceplate • Cables included 	 <p>PBT-430BS-F</p> <ul style="list-style-type: none"> • Momentary DPDT, 5A/125 or 250VAC • Stainless steel faceplate

Mortise Mount PBT Push Buttons (Continued)

 <p>PBT-430BS-DR</p> <ul style="list-style-type: none"> • Momentary DPDT, 5A/125 or 250VAC • Stainless steel faceplate 	 <p>PBT-430BS</p> <ul style="list-style-type: none"> • Momentary DPDT, 5A/125 or 250VAC • Stainless steel faceplate 	 <p>PBT-8585BS-1</p> <ul style="list-style-type: none"> • Momentary SPST, 5mA/12VDC • Stainless steel faceplate 	 <p>PBT-8585BS-2</p> <ul style="list-style-type: none"> • Momentary SPST, 5mA/12VDC • Stainless steel faceplate
--	---	--	---

 <p>PBT-450BS</p> <ul style="list-style-type: none"> • Momentary DPDT, 5A/125VAC • Stainless steel faceplate 	 <p>PBT-451BS</p> <ul style="list-style-type: none"> • Momentary DPDT, 5A/125VAC • Stainless steel faceplate 	 <p>PBT-452BS</p> <ul style="list-style-type: none"> • Momentary DPDT, 5A/125VAC • Stainless steel faceplate 	 <p>PBT-453BS</p> <ul style="list-style-type: none"> • Momentary DPDT, 5A/125VAC • Stainless steel faceplate
--	--	---	--

 <p>PBT-454BS</p> <ul style="list-style-type: none"> • Momentary DPDT, 5A/125VAC • Stainless steel faceplate 	 <p>PBT-455BS</p> <ul style="list-style-type: none"> • Momentary DPDT, 5A/125VAC • Stainless steel faceplate 	 <p>PBT-860BS-B</p> <ul style="list-style-type: none"> • Momentary DPDT, 5A/125VAC • Stainless steel faceplate 	 <p>PBT-861BS-B</p> <ul style="list-style-type: none"> • Momentary DPDT, 5A/125VAC • Stainless steel faceplate
--	--	---	--

 <p>PBT-863BS-B</p> <ul style="list-style-type: none"> • Momentary DPDT, 5A/125VAC • Stainless steel faceplate 	 <p>PBT-864BS-B</p> <ul style="list-style-type: none"> • Momentary DPDT, 5A/125VAC • Stainless steel faceplate 	 <p>PBT-860BS-G</p> <ul style="list-style-type: none"> • Momentary DPDT, 5A/125VAC • Stainless steel faceplate 	 <p>PBT-861BS-G</p> <ul style="list-style-type: none"> • Momentary DPDT, 5A/125VAC • Stainless steel faceplate
--	--	---	--

Mortise Mount PBT Push Buttons (Continued)



PBT-863BS-G

- Momentary DPDT, 5A/125VAC
- Stainless steel faceplate



PBT-864BS-G

- Momentary DPDT, 5A/125VAC
- Stainless steel faceplate



PBT-860BS-R

- Momentary DPDT, 5A/125VAC
- Stainless steel faceplate



PBT-861BS-R

- Momentary DPDT, 5A/125VAC
- Stainless steel faceplate



PBT-863BS-R

- Momentary DPDT, 5A/125VAC
- Stainless steel faceplate



PBT-864BS-R

- Momentary DPDT, 5A/125VAC
- Stainless steel faceplate



PBT-419DR-LED

- Momentary SPDT 1A/250VAC
- Stainless steel faceplate
- Bi-color LED (Green/Blue)



PBT-419PTE-LED

- Momentary SPDT 1A/250VAC
- Stainless steel faceplate
- Bi-color LED (Green/Blue)

Optional Back Box



SMB-86ALU-03

- Aluminum, Silver
- 4 9/16" x 2 3/4" x 1 3/4" (85.5 x 85.5 x 38mm)



PBS-86G

- Plastic, Green
- 4 1/12" x 2 3/4" x 1 3/16" (90 x 90 x 50mm)

Surface Mount PBT Push Buttons (Continued)



PBT-090-LED

- Momentary SPDT 3A/30VAC or VDC
- Stainless steel faceplate



PBT-090-4

- Momentary DPDT, 5A/125VAC
- Stainless steel faceplate



PBT-170

- Momentary DPDT, 5A/125VAC
- Stainless steel faceplate



PBT-090-2

- Momentary SPST, 5A/125VAC, 6A/24VDC
- Stainless steel faceplate

Wave Sense Infrared Exit Device

RTS Series

Touchless Switches Ensure Safe and Sanitary Egress

Standard Features

- Uses infrared sensor technology for contactless switch activation
- For sanitary environment such as hospitals, restaurants, bathrooms, or labs
- Operating voltage 12-24VDC
- Stainless steel faceplate (Brushed stainless steel faceplate for RTS-700/800)
- Bi-color LED status indicator (Red/Green)
- Sensor range up to 5 15/16" (15cm)
- Relock delay timer
- Emergency signal input (Except RTS-500)
- Available with emergency exit button (For RTS-500)



RTS-600

- ANSI size
- Mortise mounted
- Emergency signal input
- Selectable relock delay time 0.5,5,10,20 seconds
- Sensor range: 3 15/16" (10cm)
- 4 1/2" x 2 3/4" (114 x 70mm)



RTS-600-S

- ANSI size
- Surface mounted
- Emergency signal input
- Selectable relock delay time 0.5,5,10,20 seconds
- Sensor range: 3 15/16" (10cm)
- 4 1/2" x 2 3/4" x 1 3/8" (114 x 70 x 35mm)



RTS-500

- European size
- Mortise mounted
- Emergency exit button
- Selectable relock delay time 0.5,5,10,20 seconds
- Sensor range: 10cm
- 85.5 x 85.5mm



RTS-500N

- European size
- Surface mounted
- Emergency signal input
- Selectable relock delay time 0.5,5,10,20 seconds
- Sensor range: 10cm
- 85.5 x 85.5mm



RTS-700

- European size
- Mortise/Surface mounted
- Emergency signal input
- Adjustable relock delay time 0.5-20 seconds
- Sensor range: 15cm
- 85.5 x 85.5mm



RTS-800

- ANSI size
- Mortise/Surface mounted
- Emergency signal input
- Adjustable relock delay time 0.5-20 seconds
- Sensor range: 5 5/16" (15cm)
- 4 1/2" x 2 3/4" (114 x 69.5mm)

Wireless Exit Device

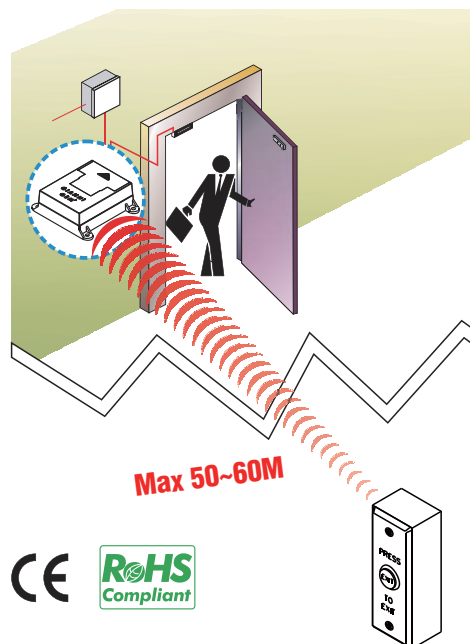
Convenient and Quick Egress

RF Hopping Code Controller Features

- Designed to control automatic doors or electrified locks with code-hopping technology
- Bi-color LED to indicate transgression: Green (Power), Red (input/output)
- Low battery buzzer alarm
- Compatible up to 15 transmitters
- Selectable relock time delay

Transmitter Specifications

- Battery voltage 12VDC
- Frequency 433.3MHz
- Battery life max. 13,000 cycles
- Transmitting distance 50 ~ 60 meters



RF Hopping Code Controller

Transmitters



S-RC-WPB-025JS

- Voltage: 12-24 VDC
- SPDT Rating: 3A/120VAC, 3A/24VDC
- Relay Strike Time: 1,3,5,10 seconds
- 83 (L) x 62(W) x 30(D)



S-TM-WPB-100

- Remote transmitter
- 54.5 (L) x 29.5(W) x 12(D)



S-TM-WPB-025JS

- Surface mount push button
- Stainless steel faceplate
- Plastic back box
- 115 (L) x 40(W) x 32(D)



S-TM-WPB-900

- Push plate exit button
- Stainless steel faceplate
- Plastic back box
- 130 (L) x 130(W) x 49.5(D)

Wireless Exit Device Kits



WPB-100



WPB-025JS



WPB-900

All dimensions in mm

Emergency Door Release Exit Device

Dual Exit Units

Convenient, Safe, Easy to install

Standard Features

- Combined exit button and emergency door release unit
- Double gang surface back box
- Horizontal or vertical installation
- Operating voltage 12/24 VDC
- Double pole switch
- Contact rating 5A/125 or 250VAC
- LED indicator
- Available in breakable plastic glass or resettable operating element



PBS-P430C1

- Stainless steel button
- Breakable plastic glass



PBS-P430C2

- Stainless steel button
- Resettable



PBS-P800C1

- Plastic button
- Breakable plastic glass



PBS-P800CS

- Plastic button
- Resettable

Replacements



PBS-286G

Replacement plastic case, 189.5 x 92 x 40mm



P-PL-CP-31-K

Test key



P-PL-CP-32-K

Resettable Key

Touch Sense Exit Buttons

Standard Features

- Operating voltage 12-24VDC
- Momentary SPDT contacts rated 3A/24VDC
- Adjustable relock time delay 1~30 seconds
- Stainless steel or plastic faceplate
- Bi-color LED status indicator (For BTS-100-ANSI, BTS-486, BTS-300)
- Red & Green LEDs indicate power and status (For BTS-115-ANSI, BTS-115-S, BTS-85UK, BTS-100)
- Beeper sounds and LED on when relay is activated
- Optional surface mount back box provided
- Dimensions: ANSI size: 4 1/2" x 2 3/4" (114x70.5mm)
European size: 85.5 x 85.5mm
Narrow size: 115 x 44mm



 <p>BTS-400-ANSI</p> <ul style="list-style-type: none"> • Bi-color LED (Red/Green) • Stainless steel faceplate • ANSI size • Flush mounted 	 <p>BTS-115-ANSI</p> <ul style="list-style-type: none"> • Red & Green LED • Stainless steel faceplate • ANSI size • Surface mounted 	 <p>BTS-115-S</p> <ul style="list-style-type: none"> • Red & Green LED • Stainless steel faceplate • ANSI size • Flush mounted 	 <p>BTS-486</p> <ul style="list-style-type: none"> • Bi-color LED (Red/Green) • Stainless steel faceplate • European size • Flush mounted
 <p>BTS-85UK</p> <ul style="list-style-type: none"> • Red & Green LED • Plastic faceplate • European size • Flush mounted 	 <p>BTS-100</p> <ul style="list-style-type: none"> • Red & Green LED • Plastic faceplate • European size • Surface mounted 	 <p>BTS-300</p> <ul style="list-style-type: none"> • Bi-color LED (Red/Green) • Stainless steel faceplate • Narrow size • Flush mounted 	

Optional Back Box

 <p>SMB-750</p> <ul style="list-style-type: none"> • Metal, White • 114 (L) x 70 (W) x 32(D) 	 <p>SMB-101</p> <ul style="list-style-type: none"> • Plastic, Black/White • 114 (L) x 70 (W) x 30(D) 	 <p>SMB-86ALU</p> <ul style="list-style-type: none"> • Aluminum, Silver • 85.5 (L) x 85.5 (W) x 38(D) 	 <p>SMB-86G</p> <ul style="list-style-type: none"> • Plastic, Green • 90 (L) x 90 (W) x 50(D) 	 <p>SMB-040</p> <ul style="list-style-type: none"> • Plastic, Black • 115 (L) x 43 (W) x 32(D)
--	--	---	--	--

All dimensions in mm








Push Plate Exit Buttons

Disabled Exit Buttons

Standard Features

- All active target area
- Ideal for use in nursing homes, hospitals, and disabled/handicapped facilities
- Surface mounted
- Momentary SPDT switch
- Stainless steel faceplate
- Adaptable to wireless (For PBT-900-1)
- Aluminum surface box: 115 x 115 x 69.5mm
Plastic surface box: 130 x 130 x 54mm



 <p>PBT-900ALU-1</p> <ul style="list-style-type: none"> • Contact rating 15A/125 or 250VAC • Aluminum back box 	 <p>PBT-900ALU-2</p> <ul style="list-style-type: none"> • Contact rating 15A/125 or 250VAC • Aluminum back box 	 <p>PBT-900ALU-3</p> <ul style="list-style-type: none"> • Contact rating 15A/125 or 250VAC • Aluminum back box 	 <p>PBT-900ALU-4</p> <ul style="list-style-type: none"> • Contact rating 15A/125 or 250VAC • Aluminum back box
 <p>PBT-900-1</p> <ul style="list-style-type: none"> • Contact rating 15A/125 or 250VAC • Plastic back box • Available as a wireless exit device 	 <p>PBT-900-2</p> <ul style="list-style-type: none"> • Contact rating 15A/125 or 250VAC • Plastic back box 	 <p>PBT-900-3</p> <ul style="list-style-type: none"> • Contact rating 15A/125 or 250VAC • Plastic back box 	 <p>PBT-900-4</p> <ul style="list-style-type: none"> • Contact rating 15A/125 or 250VAC • Plastic back box

Push Plate Illuminated Exit Buttons

Highly Visible, Easy to Activate

Standard Features

- All active target area
- Momentary SPDT switch
- Stainless steel faceplate
- Plastic back box: 133 x133 x 30mm
- Uses with RF wireless device (For PBT-940WT/960-WT)
- LED Red/Green & Red/Blue illuminations to show door locked or unlocked status



PBT-920

- Momentary SPDT, 15A/125 or 250VAC
- NO LED
- Plastic back box
- Stainless steel plate



PBT-925

- Momentary SPDT, 15A/125 or 250VAC
- NO LED
- Plastic back box
- Blue plate



PBT-926

- Momentary SPDT, 15A/125 or 250VAC
- NO LED
- Plastic back box
- Blue plate



PBT-925BLED

- Momentary SPDT, 0.5A/120VAC 1A/24VDC
- Bi-color LED (Green/Red)
- Plastic back box
- Blue plate



PBT-925GLED

- Momentary SPDT, 0.5A/120VAC 1A/24VDC
- Bi-color LED (Green/Red)
- Plastic back box
- Blue plate



PBT-926BLED

- Momentary SPDT, 0.5A/120VAC 1A/24VDC
- Bi-color LED (Green/Red)
- Plastic back box
- Blue plate



PBT-926GLED

- Momentary SPDT, 0.5A/120VAC 1A/24VDC
- Bi-color LED (Green/Red)
- Plastic back box
- Blue plate



PBT-930

- Momentary SPDT, 0.5A/120VAC 1A/24VDC
- Bi-color LED (Green/Red)
- Plastic back box
- Stainless steel plate



PBT-940WT

- Momentary SPDT, 0.5A/120VAC 1A/24VDC
- With wireless receiver S-WPB-025JS
- Bi-color LED (Green/Red)
- Plastic back box
- Stainless steel plate



PBT-950

- Momentary SPDT, 0.5A/120VAC 1A/24VDC
- Bi-color LED (Blue/Red)
- Plastic back box
- Stainless steel plate



PBT-960WT

- Momentary SPDT, 0.5A/120VAC 1A/24VDC
- With wireless receiver S-WPB-025JS
- Bi-color LED (Blue/Red)
- Plastic back box
- Stainless steel plate

All Function Push Plate

Elbow Exit Button

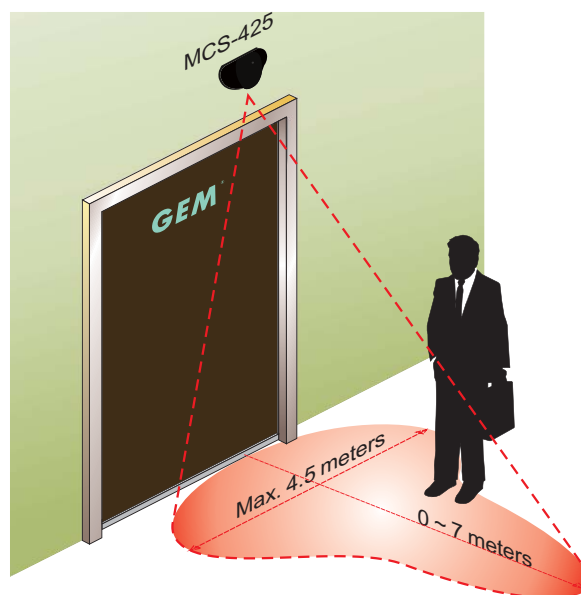


Standard Features

- Elbow exit button
- Bi-color LED status indicator
- Mounts to ANSI or European size recessed outlet box or can be surface mounted

Models	Electrical	Descriptions	Dimensions
LHS-250	12/24VDC Contact rating 5A/125 or 250VAC DPDT switch	Bi-color LED (Red/Green), Stainless steel faceplate	250 x 95 x 22mm

Microwave Sensor Switch By Motion Detection



Standard Features

- Emits microwave energy to detect movement
- Wall or ceiling mounted
- Adjustable relock timer
- Adjustable sensor range

Specifications

- Switch rating 3A/120VAC, 3A/24VDC
- Maximum current: 80mA
- Frequency: 10.525GHz

Models	Voltage	Descriptions/Dimensions	Sensor range
MCS-425	12-24VAC/DC	Microwave sensor switch, Adjustable relock delay time 0.5-4 seconds, 122.5 x 72 x 63mm	7 meters

Door Release Exit Device

Delayed Egress

Electromechanical Push Bar

New Concept of Push to Exit Device



PBH-350DE



The PBH-350DE Delayed Egress Electromechanical Push Bar is designed for use on emergency exit doors. The built-in electrified lock is designed with its high preload capability that allows smooth operation even under varying loads on the door, such as air-conditioning pressure, changes in the weather, warped doors or doors with weather stripping. It is specially designed for door openings that require delayed egress where you may already have a standard magnetic lock installed.

Standard Functions

- Field selectable nuisance delay
- Field selectable 15 or 30 second exit delay
- Emergency signal input
- Key reset
- Door ajar input

Specifications

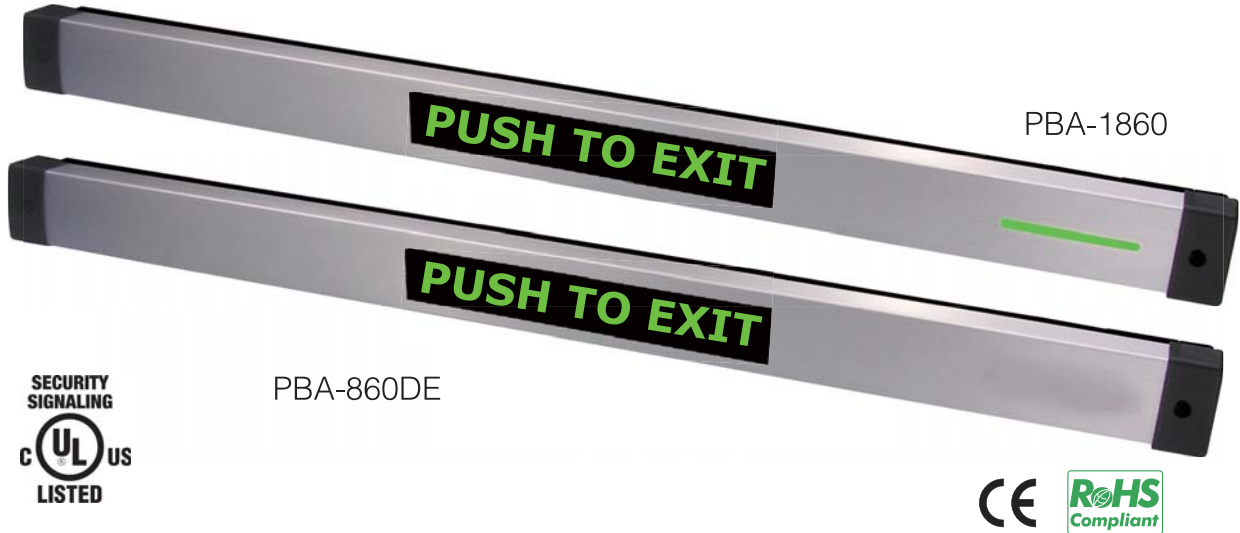
- Operating voltage 12 or 24 VDC
- Built-in 95db piezo buzzer
- Static strength 1,500 lbs (680Kg)
- Up to 500 lbs (227Kg) of preload
- Fail-safe mode

Models	Voltage	Descriptions	Dimensions
PBH-350DE	12 or 24VDC	Electrified Rim Exit device, Delay egress, Aluminum alloy cover	Bar: 35 1/16" x 2 5/8" x 2 7/16" (890 x 66 x 61.5mm) Strike: 2 15/16" x 1 3/16" x 11/16" (75 x 30 x 17mm)

Door Release Exit Device

Micro Switch Push Bars

Mechanical Release for Safety and Reliability



The PBA Micro Switch Bars series is designed to release electromagnetic locks for uninhibited egress. The 1600/1860 features a LED indicator which allows people to locate the bar in the dark quickly and easily. The PBA-860DE is specially designed for doors openings that require a delayed egress where you may already have a standard magnetic lock installed. It can be applied in commercial centers to restrict the egress of commercial center patrons for security concerns or reduce shoplifting and employee theft.

PBA-860DE Delay Egress Features

- Field selectable nuisance delay
- Field selectable 15 or 30 second exit delay
- Emergency signal input
- Key reset and bypass

Patents, Approvals, and Listings

- UL: BP10286 (PBA860DE + PSU100UL)

Models	Voltage (VDC)	Descriptions	Dimensions
PBA-600	12 or 24	Non-latching unit, US28 / Gloss green finish	600 x 66 x 61.5mm
PBA-860	12 or 24	Non-latching unit, US28 / Gloss green finish, For 36" door	875 x 66 x 61.5mm
PBA-860DE 	12 or 24	Non-latching unit, Delay egress, US28 / Gloss green finish, For 36" door	875 x 66 x 61.5mm
PBA-1600	12 or 24	Non-latching unit, Bi-color LED (Red/Green), US28 / Gloss green finish	600 x 66 x 61.5mm
PBA-1860	12 or 24	Non-latching unit, Bi-color LED (Red/Green), US28 / Gloss green finish, For 36" door	875 x 66 x 61.5mm

Call Points



CP-24R



CP-31GP



CP-33G

Selector Chart

	Double Pole	Break Glass	Plastic Glass	Resettable	Blue Backlight	LED Indicator	Built-in Buzzer	Detachable Terminal Block
CP-24 Series	V	V	V		V			
CP-31 Series	V	V	V					
CP-32 Series	V			V	V	V	V	
CP-33 Series	V			V				V

Call Points

CP-24 / 31 Series

Patented, Reliable, Flexible, Conventional



The GEM Call Point is a conventional call point that offers single or double pole changeover contacts with normally open and closed connections. It is supplied with a glass or plastic glass element and available in various colors for your choice.

Standard Features & Specifications

- Operating voltage: 12~24 VDC
- Choice of operating element: Plastic or glass
- Contact resistance: 100m Ω
(50 m Ω for CP-24 series)
- Contact rating: 5A 125/250 VAC
(1A/125VAC for CP-24 series)
- Test key included
- Choice of 5 colors (Green/Blue/Yellow/White/Red)

Patents, Approvals, and Listings

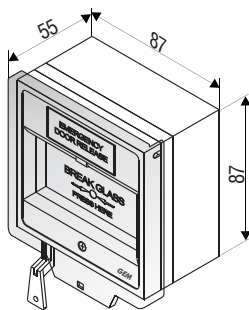
- CE: 332113

CP-24/31 Series Call Points

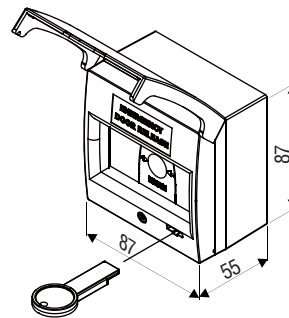
Models	Contact	Break Glass	Plastic Glass	Backlight	Case Colors
CP-24G	Quadruple pole	●	—	—	<u>Green</u> , <u>Red</u> , <u>Yellow</u> , <u>White</u>
CP-24G-L	Quadruple pole	●	—	●	<u>Green</u> , <u>Red</u> , <u>Yellow</u> , <u>White</u>
CP-24GP	Quadruple pole	—	●	—	Green
CP-24GP-L	Quadruple pole	—	●	●	Green
CP-31G-UC	Double pole	●	—	—	<u>Green</u> , <u>Red</u> , <u>Yellow</u> , <u>White</u> , <u>Blue</u>
CP-31GP	Double pole	—	●	—	<u>Green</u> , <u>Red</u> , <u>Yellow</u> , <u>White</u> , <u>Blue</u>

CP-24/31 Series Dimensions

CP-24 Series



CP-31 Series



All dimensions in mm

Accessories

CP-21-GL
Glass element



CP-31-UC
Clear plastic cover



CP-31-PL
Plastic glass element



P-PL-CP-21-24-KEY
Test key (For CP-15/24 series)



P-PL-CP-31-K
Test key (For CP-31 Series)



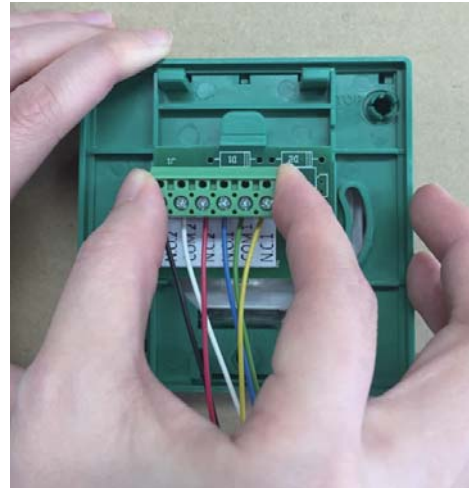
Resettable Call Points

CP-32/33 Series

Patented, Safe, Visible, Easy to Install



Detachable Terminal Block



The GEM Resettable Call Point features a resettable operating element that produces no dangerous glass shards, making it suitable for use in high traffic areas, such as schools, shopping malls, or commercial buildings. The CP-33 series is designed with detachable terminal blocks allowing for easy and quick installation.

Standard Features & Specifications

- Operating voltage: 12/24 VDC (Default 24VDC for CP-32BZ-LB series)
- Contact resistance: 100 mΩ
- Contact rating: 5A 125/250 VAC
- Resettable key included
- Choice of 5 colors (Green/Blue/Yellow/White/Red)
- Detachable terminal block for easy installation (For CP-33 series)

Standard Options

- LED indicator
- Blue backlight
- Built-in 80db buzzer

Patents, Approvals, and Listings

- CE: 332113
- Patent: Taiwan M444599

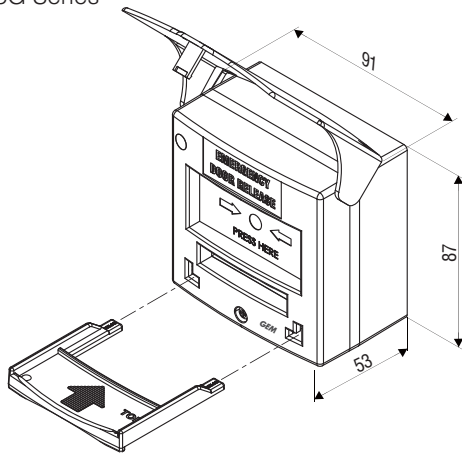


CP-32/33 Series Resettable Call Points

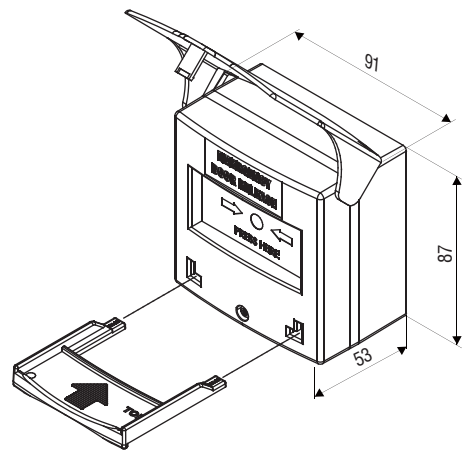
Models	Contact	Blue Backlight	LED	Built-in Buzzer	Case Colors
CP-32G CP-33G	Double pole	—	—	—	<u>Green</u> , <u>Red</u> , <u>Yellow</u> , <u>White</u> , <u>Blue</u>
CP-32G-L	Double pole	—	●	—	<u>Green</u> , <u>Red</u> , <u>Yellow</u> , <u>White</u> , <u>Blue</u>
CP-32G-LB	Double pole	●	—	—	<u>Green</u> , <u>Red</u> , <u>Yellow</u> , <u>White</u> , <u>Blue</u>
CP-32GBZ-LB	Double pole	●	—	●	<u>Green</u> , <u>Red</u> , <u>Yellow</u> , <u>White</u> , <u>Blue</u>

CP-32/33 Series Dimensions

CP-32G Series
CP-32G-L Series
CP-33G Series



CP-32G-LB Series
CP-32GBZ-LB Series



Accessories

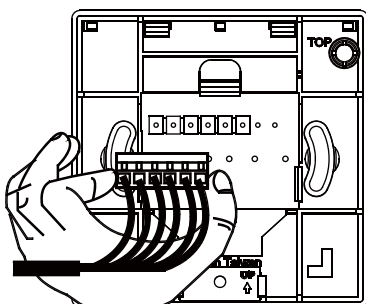
P-PL-CP-32-K
Resettable key



P-PL-CP-32-UC
Clear plastic cover



CP-33 Series with Detachable Terminal Blocks



The CP-33 series with Detachable Terminal Blocks is designed with convenient terminal block concept for easy and quick installation. Simply wire the terminal connector and plug it in the back of the CP-33 product. No re-termination is required.

Key Switches



ANSI Standard Size



European Standard Size



Narrow Size

Selector Chart

	SPDT	DPDT	Alternate (Maintained)	Momentary	LED Indicator	Cylinder Included
ANSI Size	V	V	V	V	V	
European Size	V	V	V	V	V	V
Narrow Size	V	V	V	V	V	

Key Switches

Simple Solution for Exit, Door Release, Mechanical Override or Reset



GEM key switches are often used to control electric locks, shunt or activate security panels, or any similar requirements. They are compatible virtually with any system, and offer a secure and economic access control for a variety of applications.

Standard Features

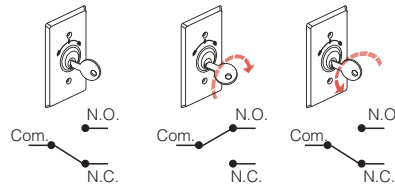
- Easy to install and maintain
- Stainless steel faceplate
- SPDT or DPDT
- Momentary or alternative (maintained) switch available

Standard Options

- 12 to 24VDC Red & Green LEDs
- Stainless steel or metal surface back box
- Key cylinder with keys

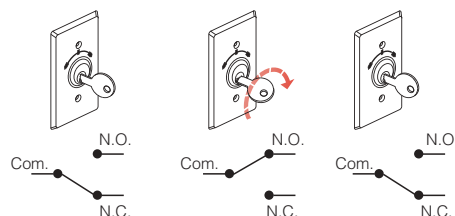
Alternate (Maintained) Action

Turning the key left or right actuates and latches the contact. Contact position is maintained until the key is inserted and turned again.



Momentary Action

Turning the key left or right momentarily actuates the contact.



ANSI Standard Key Switches Series

Models	Switch Rating	Mount	Contact	Switch Type	Options		
					Back Box	LED	Cylinder
KS-500	5A/125VAC	Mortise	SPDT	Momentary	—	—	●
KS-700W	5A/125VAC	Mortise	SPDT	Momentary or Alternate (Maintained)	●	—	●
KS-750	5A/125VAC	Mortise	DPDT	Alternate (Maintained)	●	●	●

European Standard Key Switches Series

Models	Switch Rating	Mount	Contact	Switch Type	Options		
					Back Box	LED	Cylinder
*KS-7510A	4A/125VAC	Mortise	SPDT	Momentary	—	—	—
KS-800	5A/125VAC	Mortise	DPDT	Alternate (Maintained)	●	●	●
KS-810	5A/125VAC	Mortise	DPDT	Momentary	●	●	●
KS-860	5A/125VAC	Mortise	DPDT	Momentary or Alternate (Maintained)	●	●	●

*Cylinder included.

Narrow Size Key Switches Series

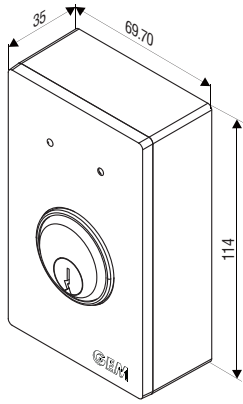
Models	Switch Rating	Mount	Contact	Switch Type	Options		
					Back Box	LED	Cylinder
KS-900	5A/125VAC	Mortise	DPDT	Alternate (Maintained)	●	●	●
KS-910	5A/125VAC	Mortise	DPDT	Momentary	●	●	●

Note:

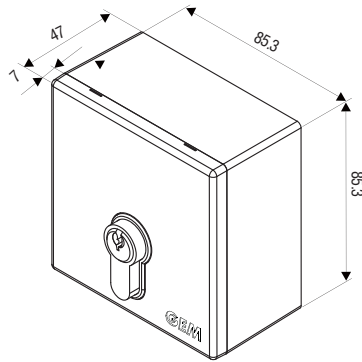
"SPDT" single pole double throw, "DPDT" double pole double throw. SPDT switch for LED option.

Key Switches Dimensions

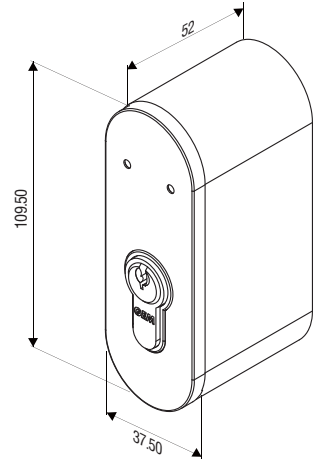
ANSI Standard Size



European Standard Size



Narrow Size



All dimensions in mm

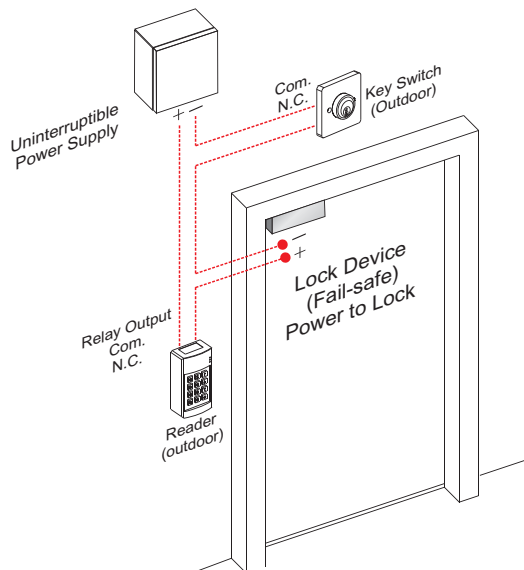
Optional Accessories

 <p>SMB-050 Stainless steel back box, 4 9/16" x 2 3/4" x 1 3/4," Silver</p>	 <p>SMB-750 Metal back box, 4 1/2" x 2 3/4" x 1 1/4," White</p>	 <p>SMB-86ALU-03 Aluminum back box, 85.5 x 38 x 38mm, Silver</p>	 <p>SMB-370ALU Chromium anodized back box, 110.5 x 47 x 39mm</p>
 <p>S-BT-KS Mortise key cylinder (For KS-500/750)</p>	 <p>P-BT-KS-700 Mortise key cylinder (For KS-700W)</p>	 <p>ECY-45HT-5 Euro-profile key cylinder (For European Standard and Narrow Size series)</p>	

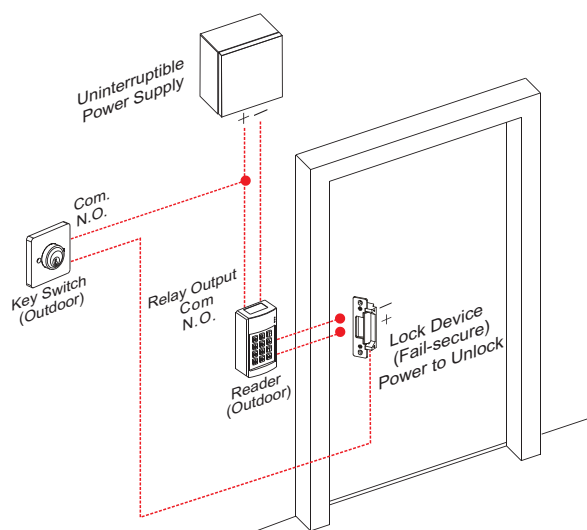
Applications

GEM key switch assemblies offer an economic solution for a variety of access control applications.

Connection to fail-safe locking devices



Connection to fail-secure locking devices



Electromagnetic Door Holders



GD900F



GD990S



GD860S

Selector Chart

	Flush Mount	Surface Mount	Floor Mount	Manual Release Button	LED Indicator	Bond Sensor Output	Swivel Armature Plate	Self-Adjustable Armature Plate	Fixed Armature Plate
ANSI Series	V		V	V	V	V	V	V	
European Series	V		V	V	V		V	V	
Weatherproof Series		V				V			V

Electromagnetic Door Holders

Reliable Door Control for Emergency Release



GEM electromagnetic door holders are designed for use with self-closing fire and smoke barrier doors. They usually use independently or with any fire or smoke detector system. Typical installations include hospitals, schools, and public buildings. Electromagnetic door holders can also be operated by manual release for safety and convenience.

Standard Features

- Standard voltage AC or DC
- Typical high holding force up to 80 lbs.
- No residual magnetism
- Swivel/Self-adjustable armature plate for easy installation
- Flush/Floor/Surface mounted
- Extension rods for increased operational alignment
- Manual release button allows to release the door at any time

Patents, Approvals, and Listings

- UL 228, ULC C228 listed: R21907 (GD900 series)
- NF S 61-937 compliant (GD840S, GD850F, GD860S)
- BS EN 1155 (GD640S, GD840S, GD850F, GD860S)

Notes:

Classification Code : 3, 5, 3, 1, 1, 3.

Standard number: BS EN 1155.

The Electromagnetic Door Holder should not be positioned at such a point where the door can be held open at angles less than 65°.








* No Maintenance Required.

* Power Size (Size 3).









* Fixing Position (Tested at 1,000 mm from Pivot / Hinge).



ANSI Standard Electromagnetic Door Holders

Models	Voltage	Holding Force (lbs.)	Manual Release Button	Mount	Finish/Color	LED	Bond Sensor Output	Armature Plate Type	
*GD900F 	24 VAC/DC *(12 VAC/DC)	80	●	Floor	Black	—	—	Square	Swivel
*GD900WS 	24 VAC/DC *(12 VAC/DC)	80	—	Surface	Stainless steel	—	—	Square	Swivel
*GD900W 	24 VAC/DC *(12 VAC/DC)	80	—	Flush	Stainless steel	—	—	Square	Swivel
GD970 	12/24VDC	32.9	—	Flush	Silver/Black	—	—	Round	Swivel
	110VAC/220VAC	38.8							
GD970S 	12/24VDC	32.9	—	Surface	Silver/Black	—	—	Round	Swivel
	110VAC/220VAC	38.8							
GD990 	12/24VDC	32.9	—	Flush	Stainless steel	—	—	Round	Swivel
	110VAC/220VAC	38.8							
GD990S 	12/24VDC	32.9	—	Surface	Stainless steel	—	—	Round	Swivel
	110VAC/220VAC	38.8							

European Standard Electromagnetic Door Holders

Models	Voltage	Holding Force (lbs.)	Manual Release Button	Mount	Finish/Color	LED	Bond Sensor Output	Armature Plate Type	
*GD640S  	24 VDC *(12 VDC)	70	●	Flush	Stainless steel	●	—	Square	Swivel
*GD840S  	24 VDC *(12 VDC)	80	●	Surface	Black	●	—	Round	Swivel or Self-adjustable
*GD850F  	24 VDC *(12 VDC)	80	●	Floor	Black	●	—	Round	Swivel or Self-adjustable
*GD860S  	24 VDC *(12 VDC)	80	●	Surface	White	●	—	Round	Swivel or Self-adjustable
*RM90	24VDC *(12VDC) Dual 12/24 VDC	550	—	Surface	White	—	●	Round	Fixed

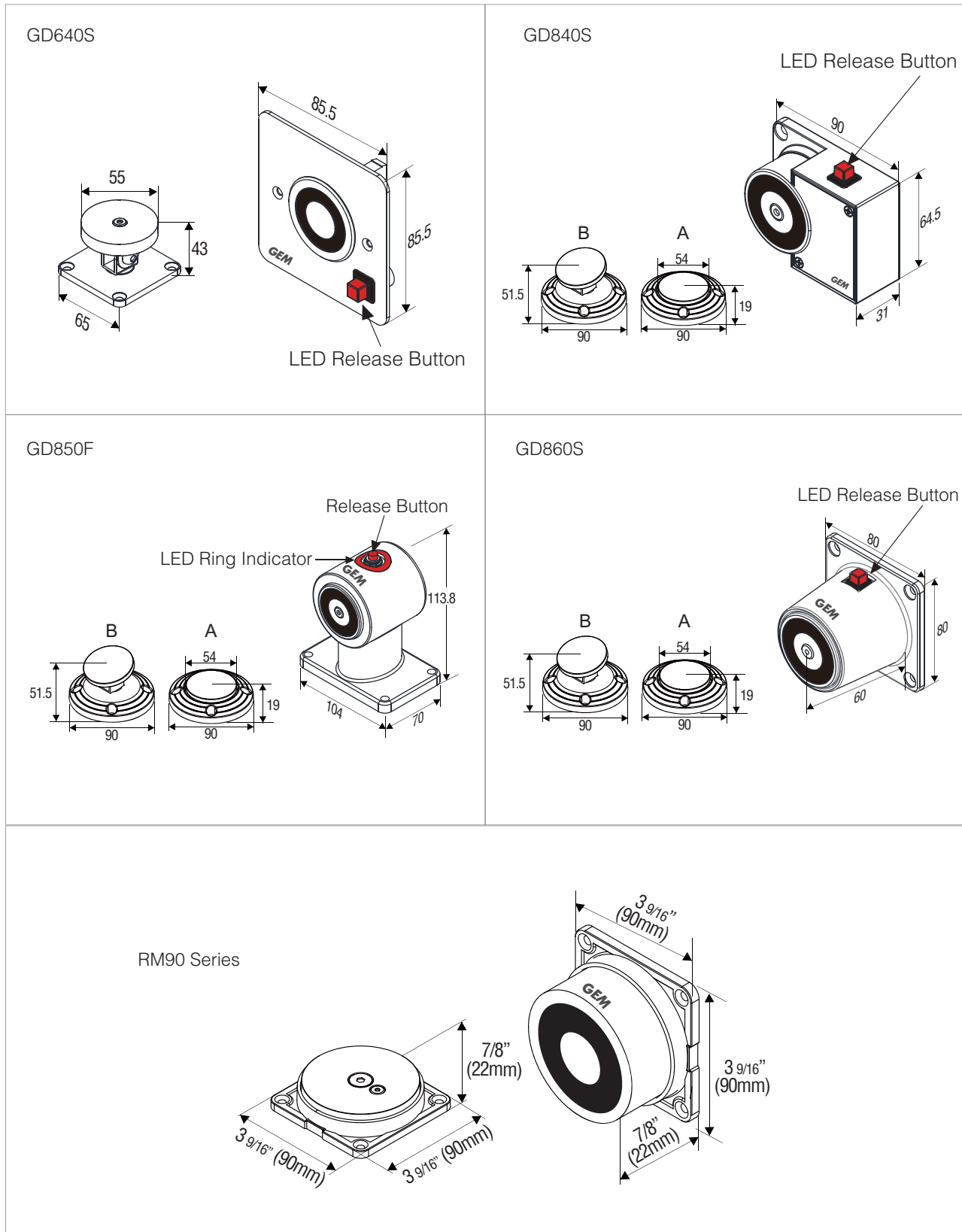
*Special order for 12VDC (12VAC/DC) operation

ANSI Standard Electromagnetic Door Holders Dimensions

<p>GD900F</p> <p>Manual release button</p>	<p>GD900WS</p>	
<p>GD900W</p>	<p>GD970</p>	
<p>GD970S</p>	<p>GD990</p>	<p>GD990S</p>

Magnetic Door Holders

European Standard Electromagnetic Door Holders Dimensions



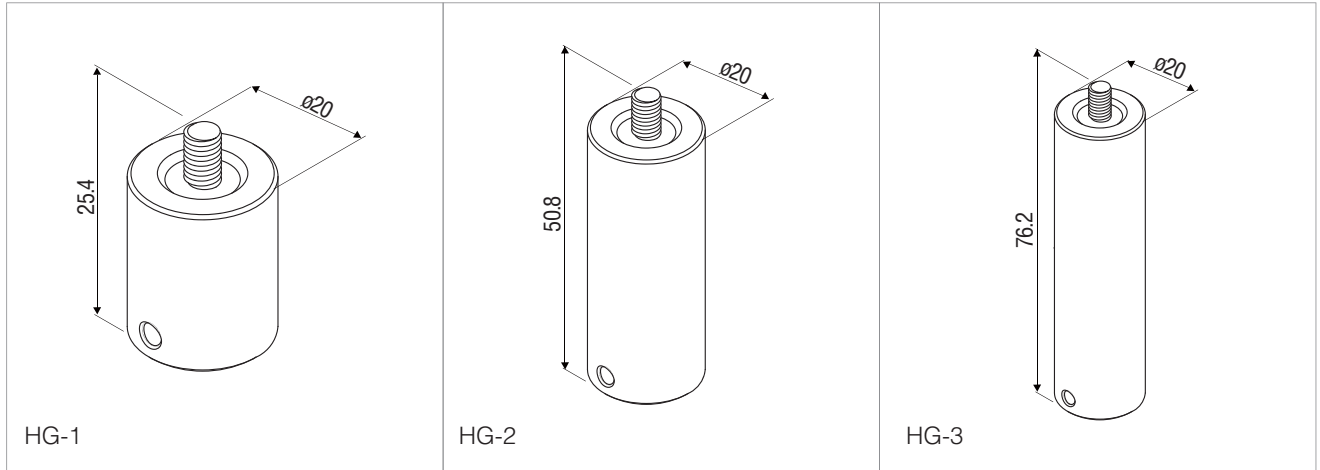
Notes:

A: Self-adjustable armature plate

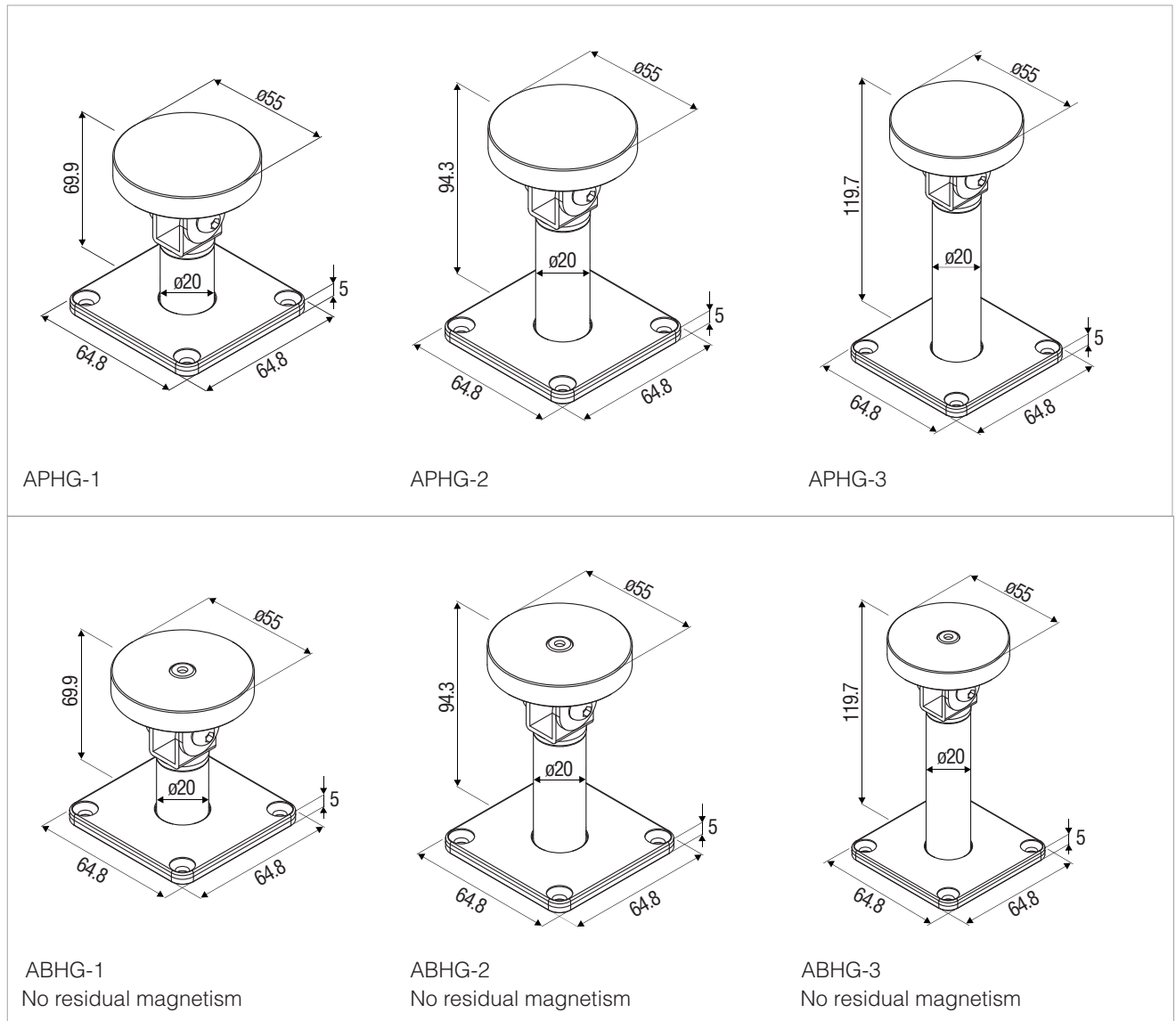
B: Swivel armature plate

Extension Rods for Square Type Armature Plates

Extension rod(s) may be required to ensure proper installation by providing increased reach for the Armature Plate.



Extension Rod Applications (Square Type Armature Plate Only)



All dimensions in mm

Electrical Accessories



Power Transfer Door Loops



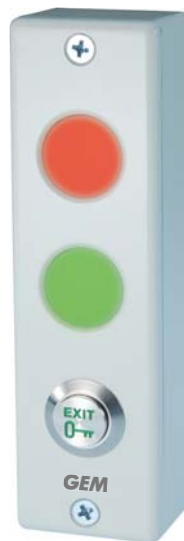
Magnetic Contacts



Door Latches



Buzzer Bridge Rectifiers



LED Indicator Lights



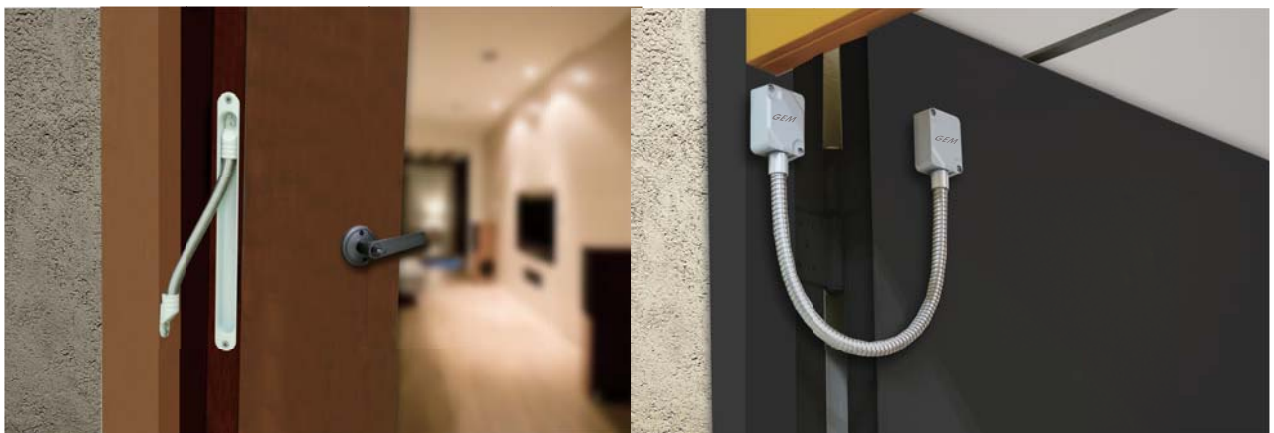
Door Control Modules

Power Transfer Door Loops

Patented, Durable and Tamper Resistant



GEM power transfer door loops offer a protective means of running wires from the frame to door installed with electrical devices, such as electrified locks. These power transfer door loops prevent foreign objects from damaging the wires and also produce aesthetically pleasing appearance. Surface and concealed mortise mount power transfer loops are provided.



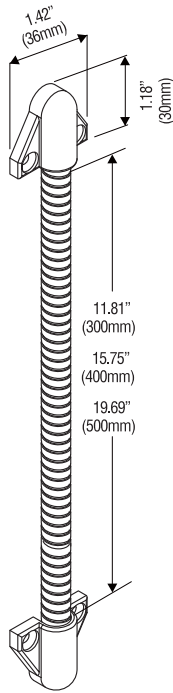
Power Transfer Door Loops Series

Models	Descriptions	Dimensions	Inside Door Loop Diameter	Outside Door Loop Diameter
Surface Mount				
DL-200A-30 DL-200A-40 DL-200A-50	Aluminum end caps, Stainless steel cable	11 13/16" (300mm) 15 3/4" (400mm) 19 11/16" (500mm)	5/16" (8mm)	7/16" (10.7mm)
DL-200P-30 DL-200P-40 DL-200P-50	Silver/Black/White/Plastic end caps, Stainless steel cable	11 13/16" (300mm) 15 3/4" (400mm) 19 11/16" (500mm)	5/16" (8mm)	7/16" (10.7mm)
Surface Mount (Heavy Duty)				
DL-350	Aluminum boxes, Stainless steel cable	15 3/4" (400mm)	3/8" (9mm)	1/2" (12mm)
DL-350-SP	Aluminum boxes, Spring steel cable	15 3/4" (400mm)	3/8" (9mm)	1/2" (12.5mm)
DL-350-SB	Aluminum boxes, Spring-back stainless steel cable	15 3/4" (400mm)	3/8" (10mm)	1/2" (12.5mm)
DL-370	Aluminum boxes, Stainless steel cable	15 3/4" (400mm)	3/8" (9mm)	1/2" (12.5mm)
DL-370-US40	Aluminum box, Stainless steel cable, US40 finish	15 3/4" (400mm)	3/8" (9mm)	1/2" (12.5mm)
Mortise Mount				
DL-400	Square enclosure, Stainless steel flex conduit	11 7/16" L x 15/16" W x 5/8" D (290 L x 24.5 W x 16.3D mm)	3/8" (9mm)	9/16" (14.5mm)
DL-417ST	Square enclosure, Stainless steel flex conduit, Metal frame	11 7/16" L x 15/16" W x 13/16" D (290 L x 24.5 W x 20D mm)	3/8" (9mm)	9/16" (14.5mm)
DL-500	Oval enclosure, Stainless steel flex conduit, Wooden frame	11 1/2" L x 1" W x 11/16" D (292 L x 24.8 W x 18D mm)	3/8" (9mm)	9/16" (14mm)

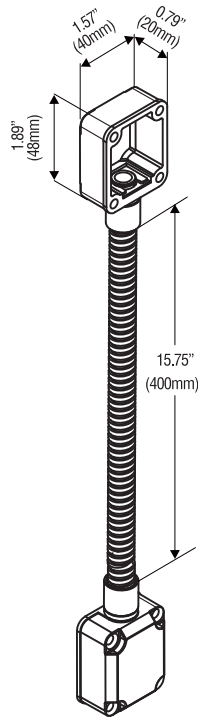
* Standard model of power transfer door loop is 15 3/4" (400mm) length

Power Transfer Door Loops

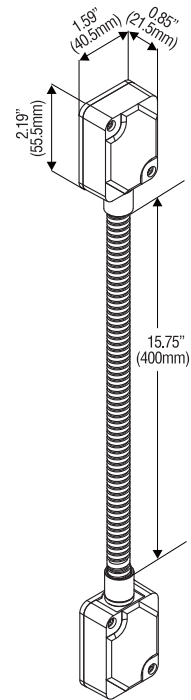
Dimensions



DL-200 Series



DL-350 Series

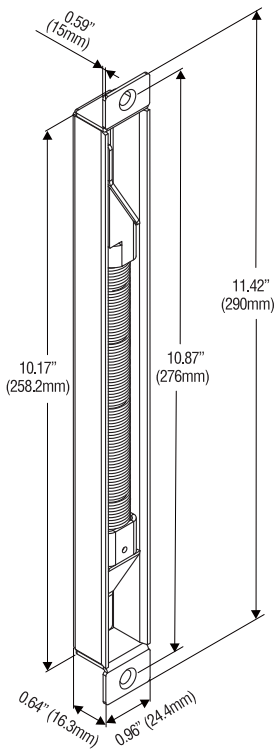


DL-370 Series

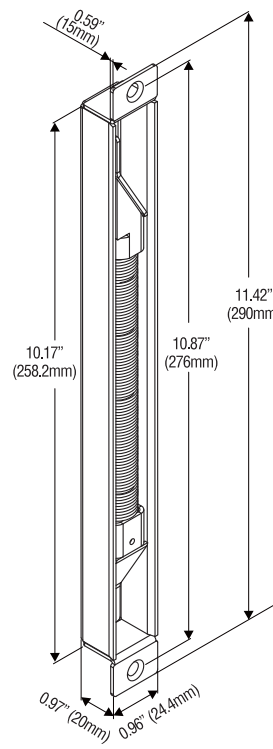
(Available in Silver or US40 duranodic finish)

Patents

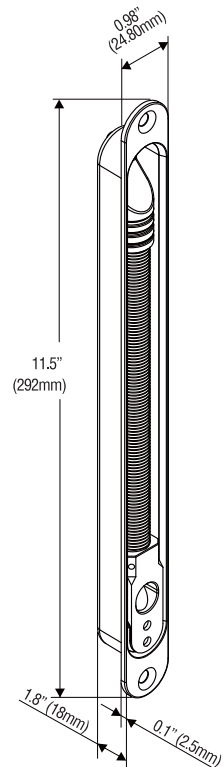
- Taiwan-M427434



DL-400



DL-417ST



DL-500

Patents

- China-ZL 2012 2 0022520.9
- Taiwan-M427434

Power Transfer Door Loops

Patented, Contain Detachable Terminal Blocks



The GEM family of stainless steel power transfer door loops utilize detachable terminal blocks for quick installation and simple maintenance. These power transfer door loops contain a PC board that connect to up to 8 wires (24 gauge) in each end. The detachable terminal blocks allow easy connection and disconnection of wires and save installation time. Surface and mortise mount versions are available.

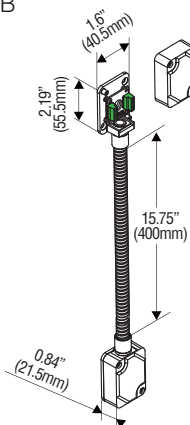


Power Transfer Door Loops Series with Detachable Terminal Blocks

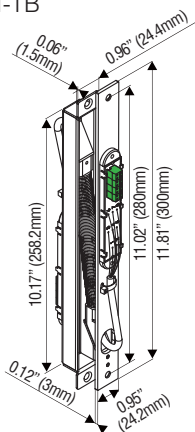
Models	Descriptions/Finish	Dimensions	Inside Door Loop Diameter	Outside Door Loop Diameter
Surface Mount (Heavy Duty)				
DL-360TB	8-conductor@24 gauge, Stainless steel cable, Aluminum boxes, Detachable terminal blocks, US28, US40	20" (end to end length) 15" (cable length)	3/8" (9mm)	1/2" (12.5mm)
Mortise Mount				
DL-417ST-TB	8-conductor@24 gauge, Detachable terminal blocks, Stainless steel square case & flex conduit, Metal frame	12 5/8" L x 1" W x 2 1/6"D (320 L x 25W x 53D mm)	7/16" (11.5mm)	9/16" (14.5mm)
DL-500-TB	8-conductor@24 gauge, Detachable terminal blocks, Zinc alloy ivory oval-shaped case, Stainless steel flex conduit, Wood frame	12 5/8" L x 15/16" W x 2 3/16"D (320 L x 24.5 W x 55 D mm)	7/16" (11mm)	9/16" (14.5mm)

Power Transfer Door Loops Dimensions

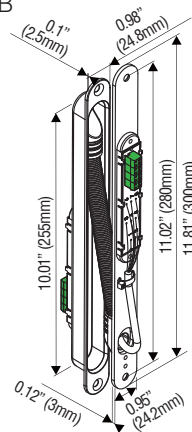
DL-360TB



DL-417ST-TB

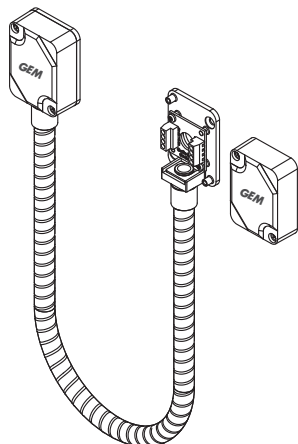


DL-500-TB



DL-360TB with Detachable Terminal Blocks

The DL-360TB with Detachable Terminal Blocks is designed with convenient terminal block concept for safe, easy and quick installation. Simply attach the wires to the detachable terminal block and plug into each end of the cable.

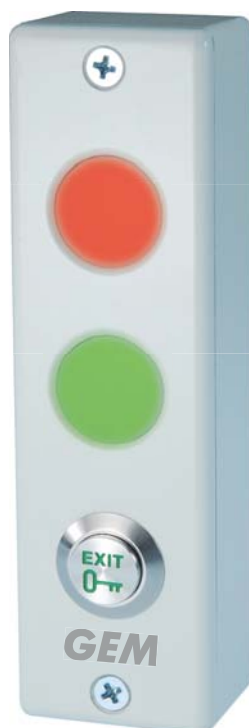


DL-360TB with Detachable Terminal Blocks

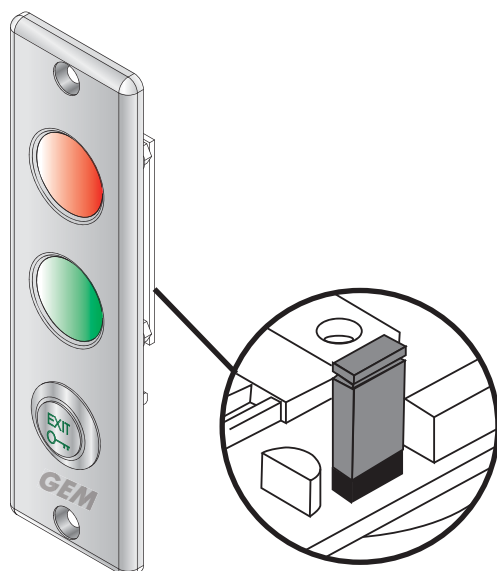
All dimensions in mm

LED Indicator Lights

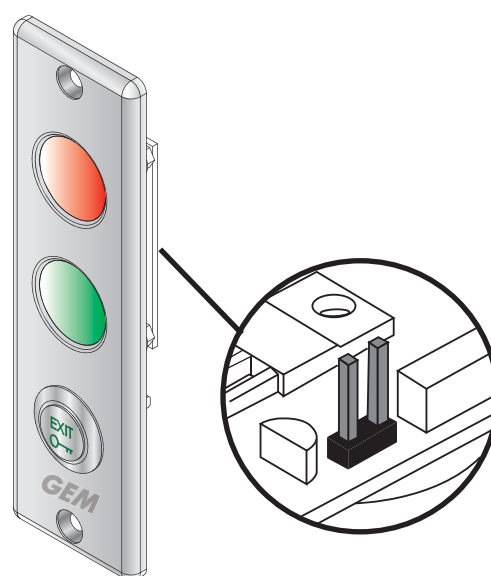
Narrow Stile, Robust, Convenient



GEM TLM series LED indicator lights can be compatible with any access control systems. The red and green LED indicator provide visual confirmation when the door is locked or unlocked. They operate on 12/24 VDC and can be either mortise or surface mounted. The TLM-300/600-4 also includes an EXIT button to release an electrified lock.



With Jumper, the LED light remains in steady mode



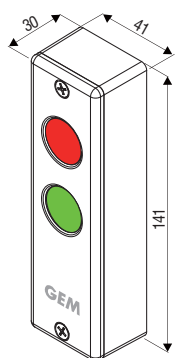
Without Jumper, the LED light remains in flashing mode.

LED Indicator Lights TLM Series

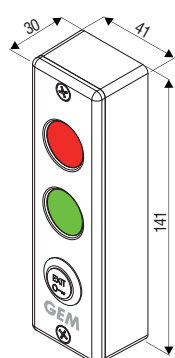
Models	Voltage (VDC)	Push Button	2 Bulbs (Red & Green)	Mount	Faceplate Construction
Narrow size					
<u>TLM-100</u> TLM-100MTS	12-24	—	●	<u>Surface</u> Flush	Stainless steel
<u>TLM-300</u> TLM-300S	12/24	●	●	<u>Flush</u> Surface	Zinc alloy
<u>TLM-400</u> TLM-400S	12/24	—	●	<u>Flush</u> Surface	Zinc alloy
<u>TLM-600-4</u> TLM-600-S-4	12/24	●	●	<u>Flush</u> Surface	Stainless steel
<u>TLM-600N</u> TLM-600NS	12/24	—	●	<u>Flush</u> Surface	Stainless steel
European size					
TLM-200	12-24	—	●	Flush Surface	Stainless steel

Dimensions

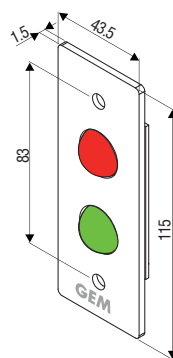
TLM-400S



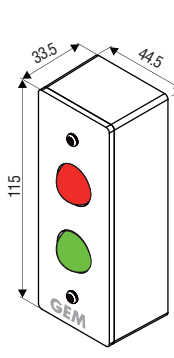
TLM-300S



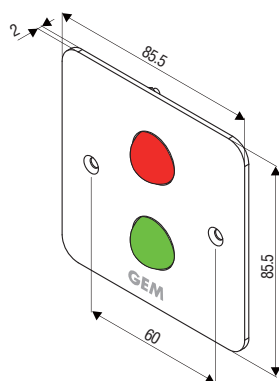
TLM-100MTS



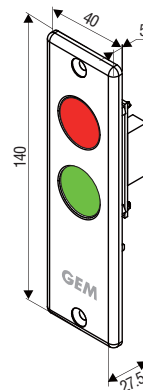
TLM-100



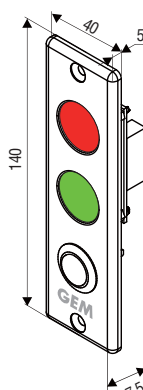
TLM-200



TLM-600N



TLM-600-4



All dimensions in mm

Optional Back Boxes

SMB-040
115x43x32mm



SMB-86AU-03
85.5x85.5x38mm

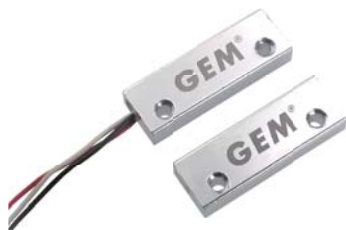


Magnetic Contacts

Use for Door Position Detection



BR-2071



GMC-2071



GMC-2071-AR



GMC-2031



GEM Magnetic Contacts enable access control systems to monitor the open or closed state of a door and are ideal for commercial application or industrial use. Screws are included.

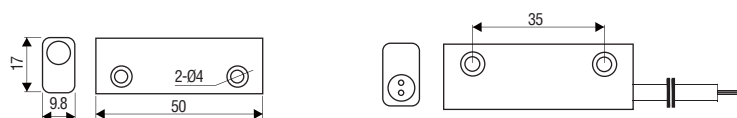
Magnetic Contacts Series

Models	Mount	Contact	Case	Operating Gap (mm)		18" 22AWG Leads
				Wood	Iron	
*BR-2071	Wired	SPST	Aluminum alloy	25	5	●
GMC-2071	Wired	SPDT	Aluminum alloy	25	5	●
GMC-2071-AR	Wired	SPDT	Aluminum alloy	34	7	●
GMC-2031	Screw	SPDT	Plastic	29	18	●

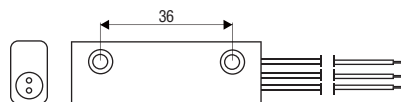
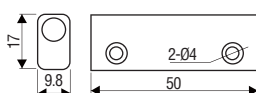
*Armored cables and longer leads are available upon request.

Magnetic Contacts Dimensions

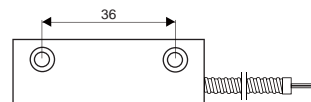
BR-2071



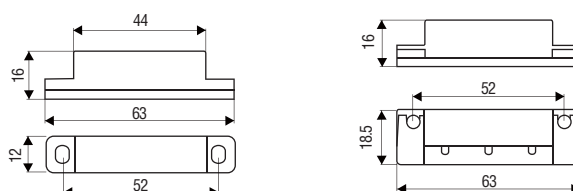
GMC-2071



GMC-2071-AR



GMC-2031



All dimensions in mm

Door Latches

Innovative, Flexible, Secure



LS-1802GF



LS-2200



LS-3000

Standard Features

- Compatible with GEM GK series



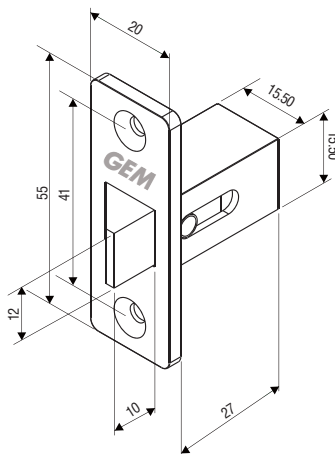
Other Features

- Stainless steel latchbolt (LS-1802GF)
- Anti-friction stainless steel roller latchbolt (LS-2200)
- Auxiliary deadlatch for higher security control (LS-3000)
- Includes a thumb turn that allows operation from the inside of the door (LS-3000)
- Reversible latchbolt for right or left handed doors (LS-3000)

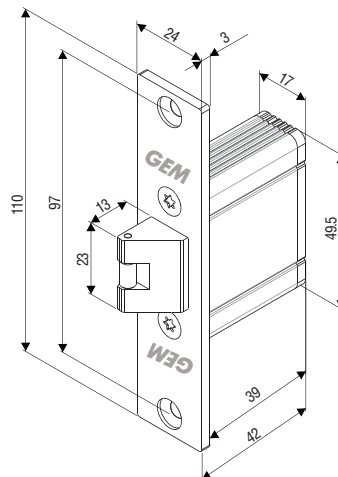
Models	Door Type	Construction	
		Faceplate	Body
LS-1802GF	Wood	Zinc alloy	Zinc alloy
LS-2200	Wood	Stainless steel	Aluminum alloy
LS-3000	Wood	Square, Stainless steel	Zinc alloy
	Hollow metal	Round, Stainless steel	

Door Latches Dimensions

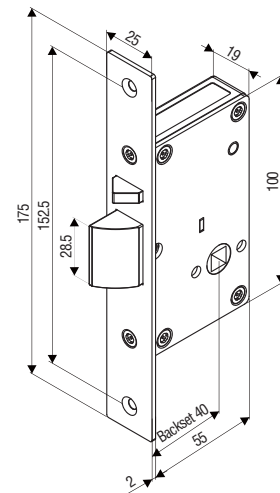
LS-1802GF



LS-2200



LS-3000 (Backset:40mm)



All dimensions in mm

Door Control Modules

Useful Gadgets

Item	Models	Descriptions
	<p>ILM-200 Interlock Module</p>	<p>Input Voltage 12~24VDC Relay Rating: 3A@125VAC/30VDC Dimensions: 73(L) x 63(W) mm</p>
	<p>SM1228 Power Transformer Module</p>	<p>Input Voltage: 13~28 VDC Output Voltage: 300mA/12VDC Dimensions: 51(L) x 40(W) x 15(D) mm</p>
	<p>DBR-200 Relay Board</p>	<p>Input Voltage: 8~30VDC/11~30VDC Current Draw: 45mA/12VDC Relay Rating: 5A/24VAC, 5A/30VDC</p>
	<p>FFP-1224-7A PSU Interface Module for Fire Alarm Panel (Supports Fail-safe or Fail-secure operation)</p>	<p>Input Voltage: 12~24VDC Output Voltage: 12~24VDC Relay Rating: 7A/30VDC</p>
	<p>SM1224-1A Mini Voltage Switching Module</p>	<p>Input Voltage: 12~24VDC/AC Output Voltage: 300mA/12VDC Dimensions: 51(L) x 40(W) x 15(D) mm</p>
	<p>SM1224-1A-N Full Wave Bridge Rectifier with LED Indicator</p>	<p>Converts AC to unfiltered DC Input Voltage: 12~24VDC/AC Output Voltage: 1A/12VDC Dimensions: 58.5(L) x 23.5(W) x 22(D) mm</p>

Buzzer Bridge Rectifiers

Useful Gadgets



SM1224BZ-1A
Buzzer Bridge Rectifier



SM1224-TBZ
Buzzer Bridge Rectifier

GEM Buzzer Bridge Rectifiers can serve as an added security to your access control system. The SM1224BZ-1A has two combined features: an In-line power controller with built-in surge protection and a piezo buzzer beeps every time the door is being activated to open. The SM1224-TBZ includes adjustable relock time delay and provides countdown beeps until the door is locked. These models can be connected to fail-secure or fail-safe electrified locks.

Models	Input Voltage (VAC/DC)	Output Voltage	Output Overload and Short Circuit Protection	Built-in Piezo Buzzer (80db)	Red LED Output Indicator	Anti-tailgating Function	Selectable Relock Time Delay (5, 15, 30 or 60 seconds)
SM1224BZ-1A	12~24	1A/12VDC	●	●	●	—	—
SM1224-TBZ	12~24	1A/12VDC	●	●	●	●	●

ε-ACCESS[®]

E1196

Bluetooth Readers

SMART DOOR ACCESS
AT YOUR FINGERTIPS

 **Bluetooth[®]**



AD500

Automatic door operator



Quiet, safe, and reliable swing door opening and closing device for hands-free and handicapped access.



APP Available for iPad, iPhone & Android



- Locate product info quickly and easily
- Download and share products PDF files
- Get updated on GEM New Product Info



Download on the
App Store

Scan QR Code to load GEM App to your iOS device.



Get it on
Google play

Scan QR Code to load GEM App to your Android device.



GEM[®]
GIANNI INDUSTRIES, INC.

www.gianni.com.tw

GEM[®]

www.gianni.com.tw



2017 © Gianni Industries, Inc. All Right Reserved.

Gianni Industries, Inc.
Tel: +886-2-2267-7986
Fax: +886-2-2267-9876
inquiry1@gianni.com.tw

